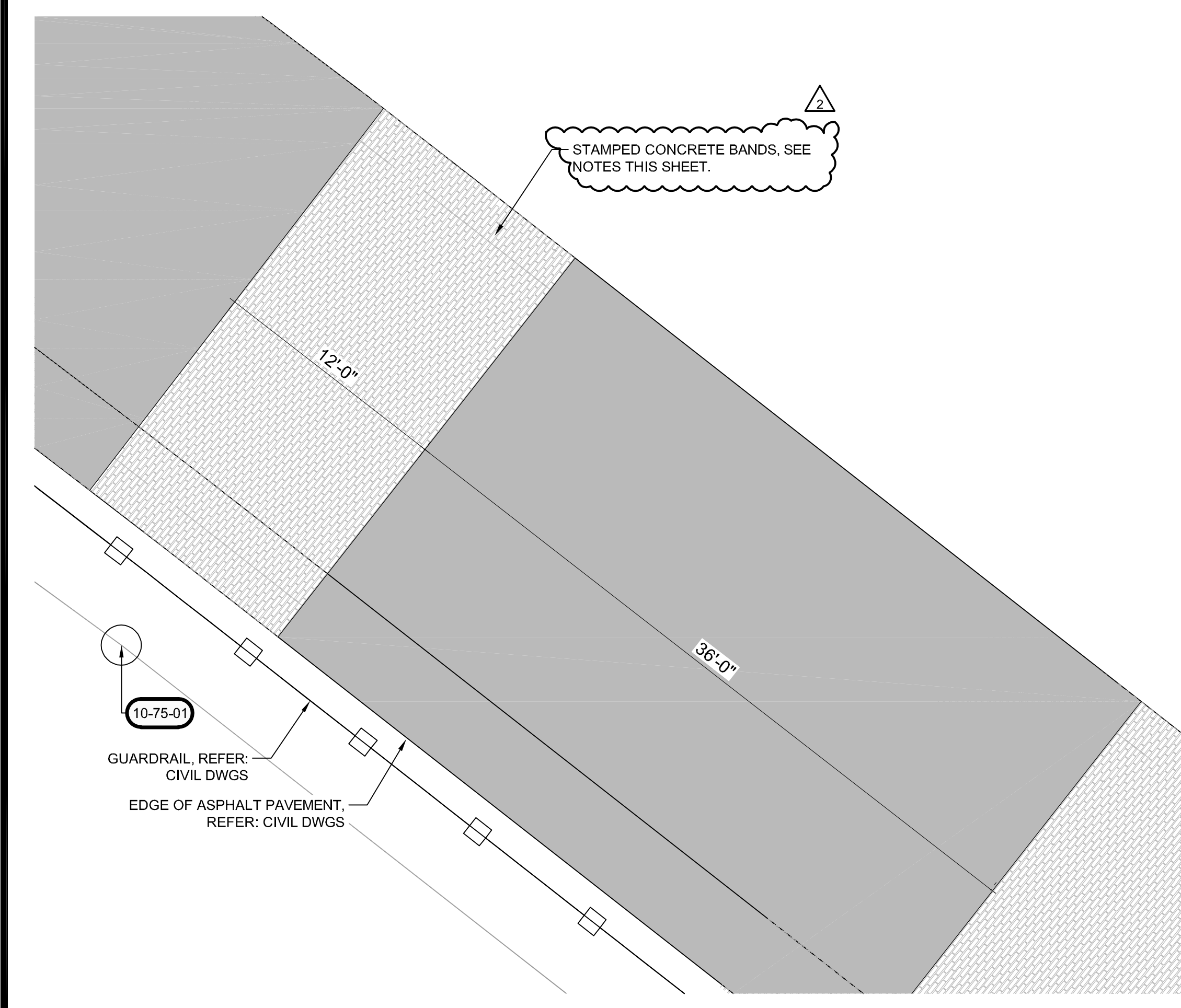
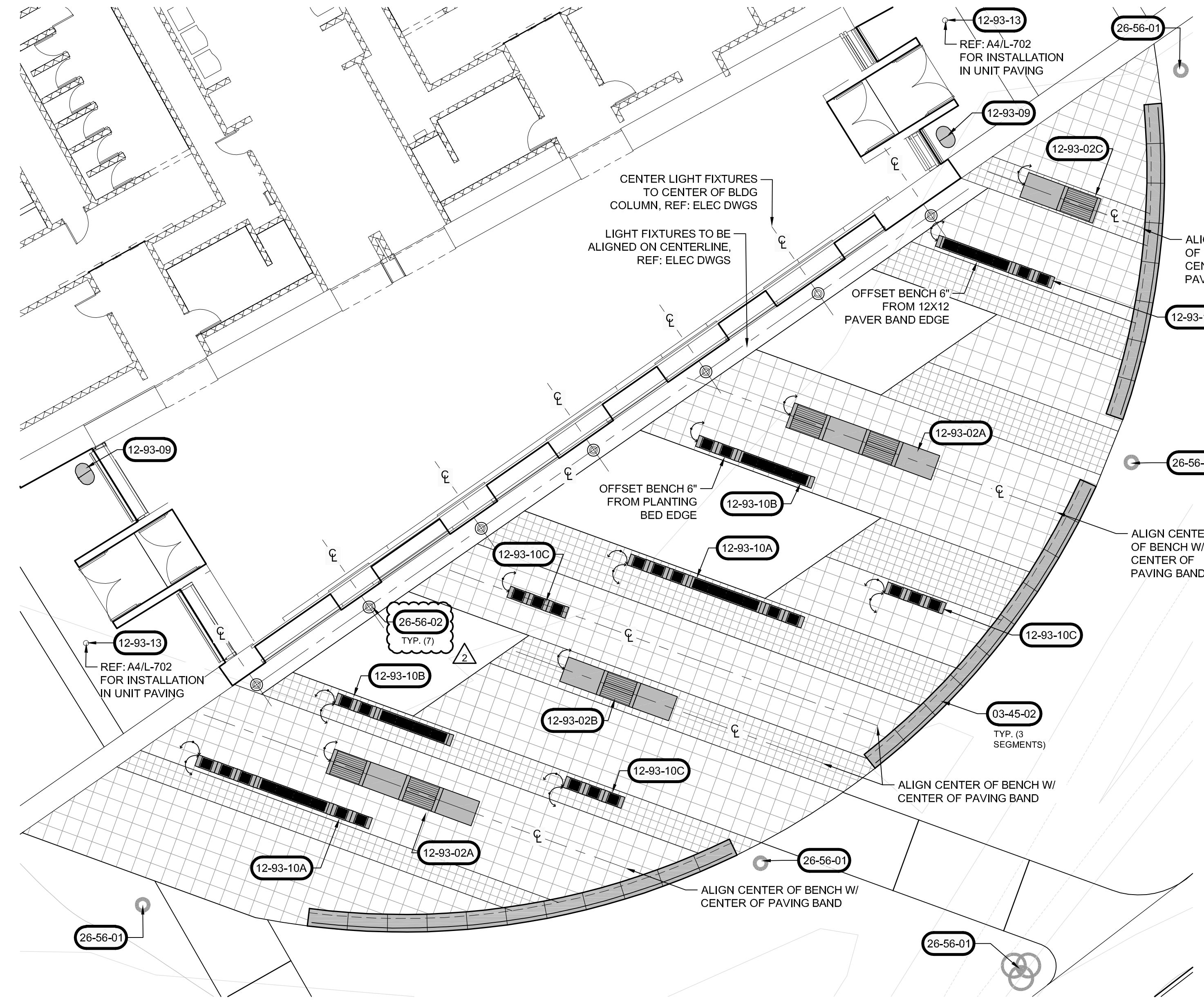


01 SITE ENLARGEMENT PLAN SCALE 0 10' 20' 40'



02 SITE ENLARGEMENT PLAN SCALE 0 2.5' 5' 10'



03 SITE ENLARGEMENT PLAN SCALE 0 5' 10' 20'

**GENERAL NOTES | SITE FEATURES PLANS:**

- DO NOT SCALE DRAWINGS FOR FIELD LAYOUT.
- COORDINATE ALL WORK WITH OTHER DESIGN DISCIPLINES.
- EXISTING AND PROPOSED UTILITIES THAT ARE SHOWN ARE FOR REFERENCE ONLY. REFER TO THE SITE SURVEY FOR EXISTING UTILITIES AND VERIFY ALL IN THE FIELD. REFER TO THE SITE ELECTRICAL PLAN FOR PROPOSED SITE LIGHTING AND POWER DISTRIBUTION EQUIPMENT. REFER TO CIVIL DRAWINGS FOR ALL OTHER PROPOSED UTILITIES.
- REFERENCE NOTES SCHEDULE MAY APPEAR ON MULTIPLE SHEETS. NOT ALL REFERENCE NOTES APPEAR ON EACH SHEET.
- REFER TO A2L-701 FOR CONCRETE PAVING JOINT DETAILS.
- ALL CONCRETE PAVING JOINTS SHALL BE CONTRACTION JOINT 'A' UNLESS INDICATED OTHERWISE.
- ALL ISOLATION AND CONCRETE JOINTS FOR CONCRETE CURBS SHALL ALIGN WITH RESPECTIVE ISOLATION AND CONTRACTION JOINT SPACING OF ADJACENT CONCRETE PAVEMENTS AND SIDEWALKS.
- THE LANDSCAPE ARCHITECT'S ELECTRONIC DESIGN DATA FILE(S) MAY BE MADE AVAILABLE TO THE SUCCESSFUL BIDDER(S) FOR LAYOUT PURPOSES UPON REQUEST AND RECEIPT OF A SIGNED "WAIVER OF CLAIMS FOR USE OF ELECTRONIC DATA" FORM.

**STAMPED CONCRETE NOTES:**

- INTEGRAL COLOR STAMPED PATTERN PAVEMENT BANDS TO BE COLOR "IRON BRICK" BY SCOFIELD OR APPROVED EQUAL AND STAMP PATTERN 169478" USED BRICK BY FITZGERALD FORMLINER OR APPROVED EQUAL.
- STAMPED CONCRETE BANDS TO ADHERE TO STANDARD INDOT SPECIFICATIONS. REF: CIVIL DRAWINGS FOR PAVEMENT SECTION AND DETAILS.

**QUALITY ASSURANCE:**

- INSTALLER OF THE COLORED PATTERN CONCRETE PAVEMENT SHALL HAVE THE MINIMUM FOLLOWING QUALIFICATIONS:
  - THE INSTALLER SHALL PROVIDE A QUALIFIED FOREMAN OR SUPERVISOR WHO HAS A MINIMUM OF THREE YEARS' EXPERIENCE WITH STAMPED OR IMPRINT TEXTURED COLORED CONCRETE AND WHO HAS SUCCESSFULLY COMPLETED AT LEAST FIVE STAMPED OR IMPRINT TEXTURED COLORED CONCRETE INSTALLATIONS OF HIGH QUALITY AND SIMILAR IN SCOPE TO THIS PROJECT, USING THE STAMP AND COLOR SYSTEM PROPOSED FOR THIS PROJECT.
  - PROVIDE CERTIFIED LICENSED CONTRACTOR. THE INSTALLER SHALL PROVIDE CAST-IN-PLACE CONCRETE ON THE JOB SITE BY TRAINED AND EXPERIENCED WORKMEN WHO HAVE A MINIMUM OF THREE YEARS' EXPERIENCE WITH STAMPED OR IMPRINT TEXTURED COLORED CONCRETE AND WHO HAVE SUCCESSFULLY COMPLETED AT LEAST FIVE COLORED CONCRETE INSTALLATIONS OF HIGH QUALITY AND SIMILAR IN SCOPE TO THIS PROJECT, USING THE COLOR SYSTEM PROPOSED FOR THIS PROJECT. PERFORM WORK ACCORDING TO ACI. PERFORM WORK IN ACCORDANCE WITH ACI 301, 302, 303.
  - PROVIDE SAME SOURCE MATERIALS. OBTAIN MATERIALS FROM SAME SOURCE THROUGHOUT COLORED CONCRETE INSTALLATION.

**MATERIALS:**

- INTEGRAL COLOR ADMIXTURE. COLOR ADMIXTURE SHALL BE A SINGLE-COMPONENT, COLORED, WATER-REDUCING, SET-CONTROLLING ADMIXTURE, FACTORY FORMULATED AND PACKAGED IN CUBIC YARD DOSAGE INCREMENTS, NOT MULTIPLE ADDITIVES AND PIGMENTS ADDED SEPARATELY INTO THE MIX. COLOR ADMIXTURE SHALL CONFORM TO ASTM 1979. ONE (1) COLOR IS SHOWN ON THE DRAWINGS.
- COLOR HARDENER, COMMERCIAL MANUFACTURED PIGMENTED DRY-SHAKE COLOR HARDENERS, OR EQUAL ARE TO BE USED.
- CURING AGENT, AS RECOMMENDED BY COLOR MANUFACTURER. WATER BASED EMULSION COLOR CURE COMPLYING WITH ASTM 309.
- SEALING AGENT, WATER BASED CONCRETE AND MASONRY SEALER, SINGLE COMPONENT, EPOXY-MODIFIED, PENETRATING TYPE. VOC, EPA, OSHA AND FDA COMPLIANT. VOC SHALL BE LESS THAN 130 GRAMS/LITER. SKID RESISTANCE SHALL CONFORM TO ASTM C 1028-89 REQUIREMENTS. PRODUCT IS TO DRY CLEAR WITH A SATIN SHEEN TO A SEMI-GLOSS.
- JOINT SEALANT, TWO PART POLYURETHANE SEALANT, URETHANE, SL GRADE. COLOR: FROM MANUFACTURER'S FULL RANGE. ONE SEALANT COLOR FOR EACH CONCRETE COLOR.

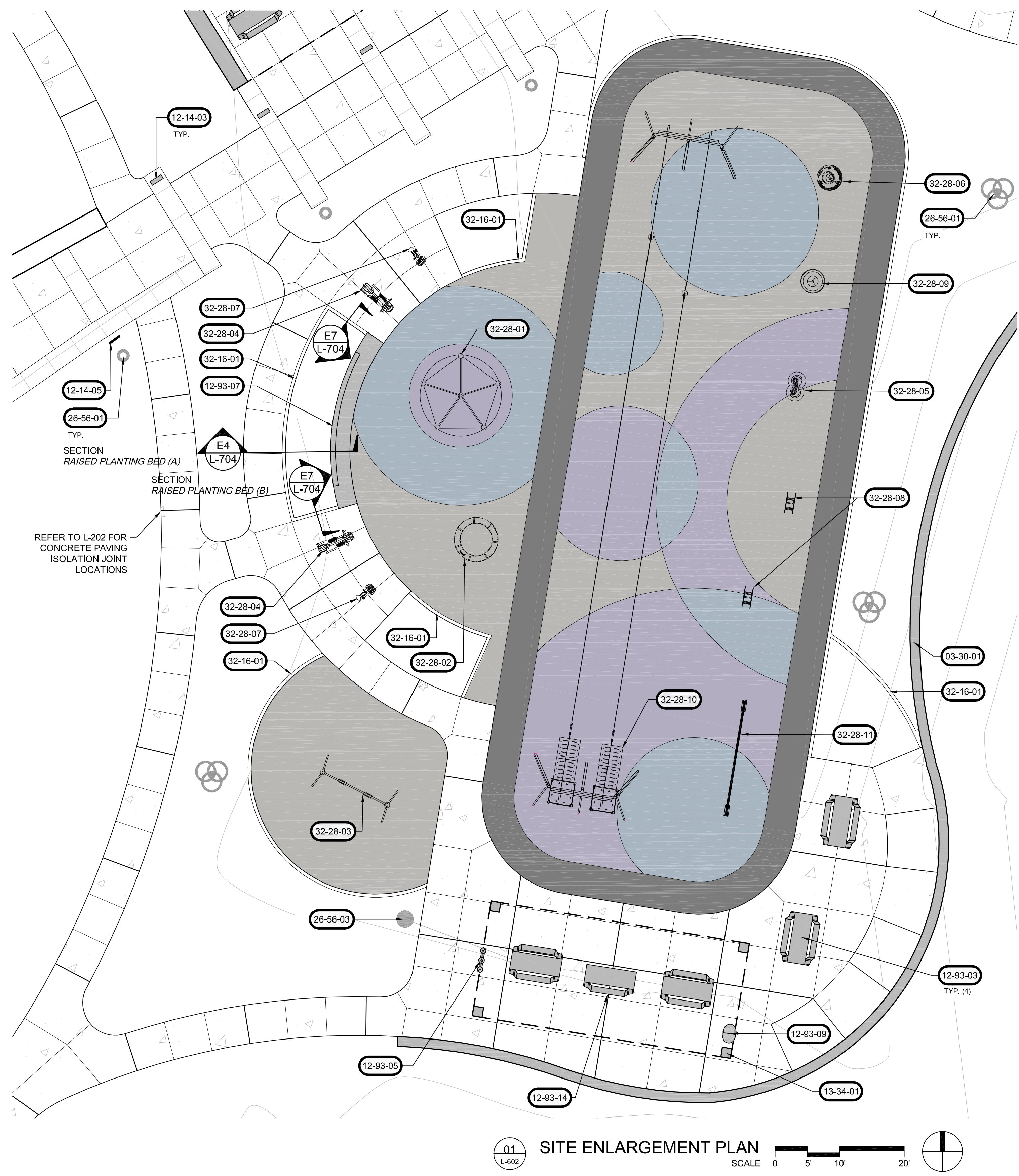
**CONTRACTOR-PROVIDED PRE-CONSTRUCTION TEST SPECIMEN AND MOCK-UPS:**

- THE CONTRACTOR SHALL SUPPLY A 1 YARD SQUARE MINIMUM (APPROXIMATELY 3 IN. THICK) TEST SPECIMEN OF COLOR, SHOWING COLOR, JOINT TYPE, PATTERN, AND TEXTURE TO BE DUPLICATED IN THE FIELD FOR APPROVAL BY THE ENGINEER PRIOR TO BEGINNING WORK ON THE MOCK-UPS.
- MOCK-UP REVISIONS. THE MOCK-UPS ARE TO BE CONSTRUCTED AS PART OF THE FINISHED WORK. TO DIMENSIONS, TEXTURES, COLORS, JOINTS AND APPEARANCE AS INDICATED ON DRAWINGS. REFINISH OR REMOVE AND REPLACE THE MOCK-UPS AS REQUIRED BY THE ENGINEER TO PRODUCE ACCEPTABLE WORK THAT WILL BECOME THE APPROVED STANDARD FOR WORKMANSHIP, QUALITY AND APPEARANCE.
- THE PURPOSE OF THE CONTRACTOR-PROVIDED MOCK-UP PAVEMENT IS TO DEMONSTRATE THE CONTRACTOR'S ABILITY TO MEET REQUIREMENTS FOR DESIGN DIMENSIONS, CONCRETE BRICK PATTERN, JOINTING APPEARANCE AND STAMPED COLORED FINISH UNIFORMITY, TECHNIQUE AND COVERAGE, AND OTHER WORK AS DESCRIBED HEREIN AND SHOWN IN THE PLANS.
- APPROVED CONTRACTOR-PROVIDED PRE-CONSTRUCTION MOCK-UP PAVING WILL BECOME THE ENGINEER'S STANDARD BY WHICH ACCEPTABILITY OF THE AESTHETICS OF THE GENERAL INSTALLATION WILL BE JUDGED. ALL CONSTRUCTED WORK, INCLUDING THE VARIATION OF APPEARANCE BETWEEN SEPARATE BATCHES/POURS OF CAST-IN-PLACE STAMPED COLORED CONCRETE SHALL BE WITHIN THE COLOR RANGE SPECIFIED.
- PROTECT THE MOCK-UP. THE CONTRACTOR SHALL BE RESPONSIBLE FOR PROTECTION AND MAINTENANCE OF APPROVED MOCK-UP PAVEMENT EXAMPLES THROUGHOUT THE DURATION OF THE PROJECT, INCLUDING REPAIRING DAMAGES AND REFINISHING TO MATCH CONDITION OF ADJACENT WORK. ALL MOCK-UP PAVING SHALL MEET THE REQUIREMENTS. BE CONSTRUCTED AT THE SOLE EXPENSE OF THE CONTRACTOR, AND WILL REMAIN THE CONTRACTOR'S PROPERTY AT THE CONCLUSION OF THE PROJECT. UNLESS ACCEPTED AS FINISHED WORK IN PLACE AS DESIGNED.
- APPEARANCE AND FINISH. THE CONSTRUCTED WORK WILL BE COMPARED WITH THE APPROVED MOCK-UP SAMPLES FOR CONFORMANCE WITH THE COLOR AND FINISH REQUIREMENTS OF THIS SPECIFICATION. THE ENGINEER WILL REVIEW FOR ACCEPTANCE (IN ACCORDANCE WITH THE REQUIREMENTS STATED HEREIN) OF THE UNIFORMITY IN COLOR, QUALITY OF SURFACE FINISHES, AND OTHER APPEARANCE CHARACTERISTICS OF THE COMPLETED CONCRETE WORK.
- WORK THAT FAILS TO MEET THE CONTRACT REQUIREMENTS AND IS INADEQUATE TO SERVE THE DESIGN PURPOSE, INCLUDING APPEARANCE QUALITIES SPECIFIED IN THIS SPECIAL SPECIFICATION, WILL BE CONSIDERED DEFECTIVE AND A DEFAULT BY THE CONTRACTOR UNDER THE CONTRACT, AND THE ENGINEER MAY REQUIRE THE CORRECTION OF REMOVAL AND REPLACEMENT AT THE CONTRACTOR'S EXPENSE. DECISIONS REGARDING DEFECTIVE WORK WILL BE MADE BY THE ENGINEER.
- FINISH ALL EXPOSED SURFACES WITH A MILD DETERGENT, LIGHT BROOM SCRUB AND LIGHT POWER WASH CLEANING OR OTHER METHOD AS SHOWN ON THE PLANS OR APPROVED BY THE ENGINEER PRIOR TO THEIR EVALUATIONS. MULTIPLE CLEANINGS MAY BE REQUIRED TO ACHIEVE ACCEPTABLE RESULTS.

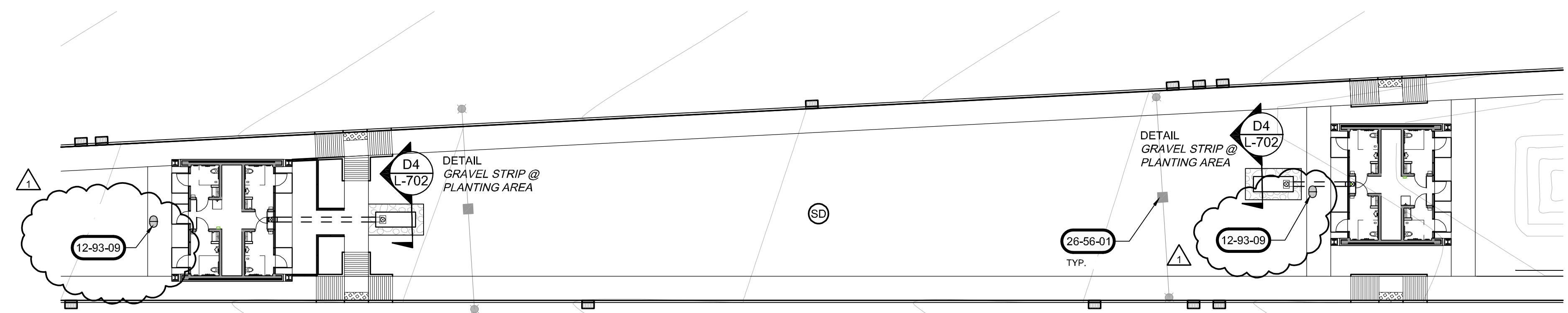
**REFERENCE NOTES SCHEDULE**

CODE	DESCRIPTION	DETAIL
03-30-01	CAST-IN-PLACE CONCRETE CIP CONCRETE SEAT WALL	E1/L-703
03-45-02	PRECAST ARCHITECTURAL CONCRETE PRECAST CONCRETE SEAT WALL (02)	D1/L-704
10-14-01	SIGNAGE PIT WALL PAINTED GRAPHICS, REF: CIVIL PLANS FOR CONCRETE WALL	E4/L-702
10-75-01	FLAGPOLES FLAGPOLE, 25'H, ALUMINUM TAPERED IN-GROUND	A1/L-702
12-14-03	SCULPTURES WINNERS WALK INTERPRETIVE SIGNAGE AND INSTALLATION, BY OTHERS	E6/L-702
12-14-05	WAYFINDING SIGN	C1/L-702
12-93-02A	SITE FURNISHINGS PLATFORM SEATING CONFIGURATION (A): (2) 'SOL-SBL-150-PC' SOLID SEAT BLOCK W/ 'SOL-SBL-SEAT-120' WOOD TOP AND 'SOL-L-SBL-SBR-120' BACKREST (1) 'SOL-SBL-150-PC-EXT' SOLID SEAT BLOCK EXTENDER (1) 'SOL-SBL-150-PC-EXT' SOLID SEAT BLOCK SOLID SEAT BLOCKS BY STREETLIFE, POWDER COATED STEEL FRAME, COLOR TBD, HARDWOOD SLATS PLATFORM SEATING CONFIGURATION (B): (1) 'SOL-SBL-150-PC' SOLID SEAT BLOCK W/ 'SOL-SBL-SEAT-120' WOOD TOP AND 'SOL-L-SBL-SBR-120' BACKREST (2) 'SOL-SBL-150-PC' SOLID SEAT BLOCK SOLID SEAT BLOCKS BY STREETLIFE, POWDER COATED STEEL FRAME, COLOR TBD, HARDWOOD SLATS PLATFORM SEATING CONFIGURATION (C): (1) 'SOL-SBL-150-PC' SOLID SEAT BLOCK W/ 'SOL-SBL-SEAT-120' WOOD TOP AND 'SOL-L-SBL-SBR-120' BACKREST (1) 'SOL-SBL-150-PC' SOLID SEAT BLOCK SOLID SEAT BLOCKS BY STREETLIFE, POWDER COATED STEEL FRAME, COLOR TBD, HARDWOOD SLATS PICNIC TABLE, 'HOPPER AA' W/ FLOOR FASTENERS BY EXTREMIS, 240 CM LENGTH, POWDER COATED ALUMINUM, COLOR TBD, SURFACE MOUNTED (REFER TO MFR. GUIDELINES) '405M' HILO ADA OUTDOOR FOUNTAIN W/ JUG FILLER BY MOST DEFENDABLE FOUNTAINS, FREEZE RESISTANT OPTION, CHROME FINISH, REFER TO MFR FOR INSTALLATION RECOMMENDATIONS CUSTOM SOLID TERRACE CURVED BY STREETLIFE, POWDER COATED STEEL FRAME, COLOR TBD, HARDWOOD SLATS 'SLTNO-230S' TONYO LITTER RECEPTACLE BY FORMS-SURFACES, 60-GALLON CAPACITY, W/ RAIN HAT, SILVER TEXTURE FINISH, 'WARP' PERFORATION PATTERN, SURFACE MOUNTED MODULAR SEATING CONFIGURATION (A): (5) 'SINUS LSN110' BY MCMCITE (1) 'SINUS LSN 130' BY MCMCITE POWDER COATED STEEL, COLOR TBD MODULAR SEATING CONFIGURATION (B): (2) 'SINUS LSN110' BY MCMCITE (1) 'SINUS LSN 130' BY MCMCITE POWDER COATED STEEL, COLOR TBD MODULAR SEATING CONFIGURATION (C): (3) 'SINUS LSN110' BY MCMCITE, POWDER COATED STEEL, COLOR TBD AUTOMATIC DOOR SWITCH, REF: ARCH DWGS 'ACCESSIBLE' PICNIC TABLE, 'HOPPER COMBO AA' (SINGLE BENCH) W/ FLOOR FASTENERS BY EXTREMIS, 240 CM LENGTH, POWDER COATED ALUMINUM, COLOR TBD, SURFACE MOUNTED (REFER TO MFR. GUIDELINES)	C3/L-703
12-93-02B	SITE FURNISHINGS PLATFORM SEATING CONFIGURATION (A): (2) 'SOL-SBL-150-PC' SOLID SEAT BLOCK W/ 'SOL-SBL-SEAT-120' WOOD TOP AND 'SOL-L-SBL-SBR-120' BACKREST (1) 'SOL-SBL-150-PC-EXT' SOLID SEAT BLOCK EXTENDER (1) 'SOL-SBL-150-PC-EXT' SOLID SEAT BLOCK SOLID SEAT BLOCKS BY STREETLIFE, POWDER COATED STEEL FRAME, COLOR TBD, HARDWOOD SLATS PLATFORM SEATING CONFIGURATION (B): (1) 'SOL-SBL-150-PC' SOLID SEAT BLOCK W/ 'SOL-SBL-SEAT-120' WOOD TOP AND 'SOL-L-SBL-SBR-120' BACKREST (2) 'SOL-SBL-150-PC' SOLID SEAT BLOCK SOLID SEAT BLOCKS BY STREETLIFE, POWDER COATED STEEL FRAME, COLOR TBD, HARDWOOD SLATS PLATFORM SEATING CONFIGURATION (C): (1) 'SOL-SBL-150	





01 SITE ENLARGEMENT PLAN SCALE 0 5' 10' 20'



02 SITE ENLARGEMENT PLAN SCALE 0 5' 10' 20'

**GENERAL NOTES | SITE FEATURES PLANS:**

- DO NOT SCALE DRAWINGS FOR FIELD LAYOUT.
- COORDINATE ALL WORK WITH OTHER DESIGN DISCIPLINES.
- EXISTING AND PROPOSED UTILITIES THAT ARE SHOWN ARE FOR REFERENCE ONLY. REFER TO THE SITE SURVEY FOR EXISTING UTILITIES AND VERIFY ALL IN THE FIELD. REFER TO THE SITE ELECTRICAL PLAN FOR PROPOSED SITE LIGHTING AND POWER DISTRIBUTION EQUIPMENT. REFER TO CIVIL DRAWINGS FOR ALL OTHER PROPOSED UTILITIES.
- REFERENCE NOTES SCHEDULE MAY APPEAR ON MULTIPLE SHEETS. NOT ALL REFERENCE NOTES APPEAR ON EACH SHEET.
- REFER TO A2/L-701 FOR CONCRETE PAVING JOINT DETAILS.
  - 'U' DENOTES ISOLATION JOINT.
  - 'CJA' DENOTES CONTRACTION JOINT 'A'.
- ALL CONCRETE PAVING JOINTS SHALL BE CONTRACTION JOINT 'A' UNLESS INDICATED OTHERWISE.
- ALL ISOLATION AND CONCRETE JOINTS FOR CONCRETE CURBS SHALL ALIGN WITH RESPECTIVE ISOLATION AND CONTRACTION JOINT SPACING OF ADJACENT CONCRETE PAVEMENTS AND SIDEWALKS.
- THE LANDSCAPE ARCHITECT'S ELECTRONIC DESIGN DATA FILE(S) MAY BE MADE AVAILABLE TO THE SUCCESSFUL BIDDER(S) FOR LAYOUT PURPOSES UPON REQUEST AND RECEIPT OF A SIGNED "WAIVER OF CLAIMS FOR USE OF ELECTRONIC DATA" FORM.

REFERENCE NOTES SCHEDULE		
CODE	DESCRIPTION	DETAIL
CAST-IN-PLACE CONCRETE		
03-30-01	CIP CONCRETE SEAT WALL	E1/L-703
PRECAST ARCHITECTURAL CONCRETE		
03-45-02	PRECAST CONCRETE SEAT WALL (02)	D1/L-704
SIGNAGE		
10-14-01	PIT WALL PAINTED GRAPHICS, REF: CIVIL PLANS FOR CONCRETE WALL	E4/L-702
FLAGPOLES		
10-75-01	FLAGPOLE, 25' H, ALUMINUM TAPERED IN-GROUND	A1/L-702
SCULPTURES		
12-14-03	WINNERS WALK INTERPRETIVE SIGNAGE AND INSTALLATION, BY OTHERS	E6/L-702
12-14-05	WAYFINDING SIGN	C1/L-702
SITE FURNISHINGS		
PLATFORM SEATING CONFIGURATION (A):		
12-93-02A	(2) 'SOL-SBL-150-PC' SOLID SEAT BLOCK W/ 'SOL-SBL-SEAT-120' WOOD TOP AND 'SOL-SBL-SBR-120' BACKREST (1) 'SOL-SBL-150-PC-EXT' SOLID SEAT BLOCK EXTENDER (1) 'SOL-SBL-150-PC-EXT' SOLID SEAT BLOCK	C3/L-703
SOLID SEAT BLOCKS BY STREETLIFE, POWDER COATED STEEL FRAME, COLOR TBD, HARDWOOD SLATS		
PLATFORM SEATING CONFIGURATION (B):		
12-93-02B	(1) 'SOL-SBL-150-PC' SOLID SEAT BLOCK W/ 'SOL-SBL-SEAT-120' WOOD TOP AND 'SOL-SBL-SBR-120' BACKREST (2) 'SOL-SBL-150-PC' SOLID SEAT BLOCK	C3/L-703
SOLID SEAT BLOCKS BY STREETLIFE, POWDER COATED STEEL FRAME, COLOR TBD, HARDWOOD SLATS		
PLATFORM SEATING CONFIGURATION (C):		
12-93-02C	(1) 'SOL-SBL-150-PC' SOLID SEAT BLOCK W/ 'SOL-SBL-SEAT-120' WOOD TOP AND 'SOL-SBL-SBR-120' BACKREST (1) 'SOL-SBL-150-PC' SOLID SEAT BLOCK	C3/L-703
SOLID SEAT BLOCKS BY STREETLIFE, POWDER COATED STEEL FRAME, COLOR TBD, HARDWOOD SLATS		
12-93-03	PICNIC TABLE, 'HOPPER AA' W/ FLOOR FASTENERS BY EXTREMIS, 240 CM LENGTH, POWDER COATED ALUMINUM, COLOR TBD, SURFACE MOUNTED (REFER TO MFR. GUIDELINES)	C7/L-702
12-93-05	'4405M' HI-LO ADA OUTDOOR FOUNTAIN W/ JUG FILLER BY MOST DEPENDABLE FOUNTAINS, FREEZE RESISTANT OPTION, CHROME FINISH, REFER TO MFR FOR INSTALLATION RECOMMENDATIONS	C7/L-702
12-93-07	CUSTOM SOLID TERRACE CURVED BY STREETLIFE, POWDER COATED STEEL FRAME, COLOR TBD, HARDWOOD SLATS	E1/L-704
12-93-09	'SLTNO-230S' TONYO LITTER RECEPTACLE BY FORMS+SURFACES, 60-GALLON CAPACITY, W/ RAIN HAT, SILVER TEXTURE FINISH, 'WARP' PERFORATION PATTERN, SURFACE MOUNTED	C3/L-703
12-93-10A	MODULAR SEATING CONFIGURATION (A): (1) 'SINUS LSN 130' BY MMCITE	C3/L-703
POWDER COATED STEEL, COLOR TBD		
12-93-10B	MODULAR SEATING CONFIGURATION (B): (2) 'SINUS LSN 110' BY MMCITE (1) 'SINUS LSN 130' BY MMCITE	C3/L-703
POWDER COATED STEEL, COLOR TBD		
12-93-10C	MODULAR SEATING CONFIGURATION (C): (3) 'SINUS LSN 110' BY MMCITE, POWDER COATED STEEL, COLOR TBD	C3/L-703
12-93-13	AUTOMATIC DOOR SWITCH, REF: ARCH DWGS	C3/L-703
12-93-14	ACCESSIBLE PICNIC TABLE, 'HOPPER COMBO AA' (SINGLE BENCH) W/ FLOOR FASTENERS BY EXTREMIS, 240 CM LENGTH, POWDER COATED ALUMINUM, COLOR TBD, SURFACE MOUNTED (REFER TO MFR. GUIDELINES)	C3/L-703
FABRICATED ENGINEERED STRUCTURES		
13-34-01	STEEL SHADE STRUCTURE, INSTALLED ON PAVING	7
EXTERIOR LIGHTING		
26-56-01	LIGHT POLE AND SITE ELECTRICAL, REF: ELEC DWGS AND CIVIL DWG C600	D7/L-702
26-56-02	IN-GROUND LIGHT, REF: ELEC DWGS FOR MORE INFORMATION	D2/L-702
26-56-03	HANDHOLE COVER AND SITE ELECTRICAL, REF: ELEC DWGS AND CIVIL DWG C600	D2/L-702
CURBS, GUTTERS, SIDEWALKS, AND DRIVEWAYS		
32-16-01	CONCRETE CURB, 6"W	F1/L-701
SITE EQUIPMENT AND STRUCTURES, REF: SPEC SECTION 116800 FOR ALL EQUIP.		
32-28-01	PLAYGROUND EQUIPMENT, 'DNA TOWER XL04' BY BERLINER	DETAIL
32-28-02	PLAYGROUND EQUIPMENT, 'SUPERNOVA' BY KOMPAN	DETAIL
32-28-03	PLAYGROUND EQUIPMENT, 'SWINGO 2.2' BY BERLINER W/ (1) STANDARD SWING SEAT AND (1) ACCESSIBLE SWING SEAT (ZZX0892) BY PLAYWORLD, OWNER TO KEEP SPARE STANDARD SEAT	DETAIL
32-28-04	ADULT FITNESS EQUIPMENT, 'CROSS TRAINER (NO TOUCHSCREEN)' BY KOMPAN	DETAIL
32-28-05	PLAYGROUND EQUIPMENT, 'HULA LOOP .01' BY BERLINER	DETAIL
32-28-06	PLAYGROUND EQUIPMENT, 'TIPI CAROUSEL' W/ TOP BRACE BY KOMPAN	DETAIL
32-28-07	ADULT FITNESS EQUIPMENT, 'CITY BIKE (NO TOUCHSCREEN)' BY KOMPAN	DETAIL
32-28-08	PLAYGROUND EQUIPMENT, 'RACE CAR SPRINGER (ZZX0555)' BY PLAYWORLD	DETAIL
32-28-09	PLAYGROUND EQUIPMENT, 'RHOMBUS' BY KOMPAN	DETAIL
32-28-10	PLAYGROUND EQUIPMENT, 'DOUBLE ZIPLINE, FLAT SPACE' W/ (2) TWO ZIPLINE START PLATFORMS BY KOMPAN	DETAIL
32-28-11	PLAYGROUND EQUIPMENT, 'TIGHTROPE' BY GORIC	DETAIL
RIGID PAVING		
SYMBOL	DESCRIPTION	DETAIL
[Pattern]	DECORATIVE STAMPED CONCRETE BAND, FORMLINER BY FITZGERALD MODEL: '16847 / 8" USED BRICK'	DETAIL
UNIT PAVING		
SYMBOL	DESCRIPTION	DETAIL
[Pattern]	CAST CONCRETE PAVERS, BITUMINOUS SETTING BED	A5/L-701
AGGREGATE SURFACING		
SYMBOL	DESCRIPTION	DETAIL
[Pattern]	DECORATIVE GRAVEL, DARK GRAY, SIZED 1-1/4" TO 3/8"	D4/L-702
ATHLETIC AND RECREATIONAL SURFACING		
SYMBOL	DESCRIPTION	DETAIL
[Pattern]	PLAYGROUND PROTECTIVE SURFACING, POURED-IN-PLACE RUBBER, COLOR 1	A7/L-701
[Pattern]	PLAYGROUND PROTECTIVE SURFACING, POURED-IN-PLACE RUBBER, COLOR 2	A7/L-701
[Pattern]	PLAYGROUND PROTECTIVE SURFACING, POURED-IN-PLACE RUBBER, COLOR 3	A7/L-701
[Pattern]	PLAYGROUND PROTECTIVE SURFACING, POURED-IN-PLACE RUBBER, COLOR 4	A7/L-701

NOT FOR CONSTRUCTION

Certified by:

JANSEN & SPAANS ENGINEERING  
930 Harrison Park Court  
Indianapolis, Indiana 46216  
Phone (317) 254-9000 Fax (317) 254-9002

**RATIO**  
LANDSCAPE ARCHITECTURE  
101 S Harrison Ave  
Indianapolis, IN 46204  
T: 317.620.0800  
www.ratiodesign.com

PUBLIC WORKS PROJECT NO. 84003001-22-058-C1  
REST AREA  
INDIANA

STATE OF INDIANA  
DEPARTMENT OF ADMINISTRATION  
**PUBLIC WORKS DIVISION**  
ROOM 1625 INDIANA GOVERNMENT CENTER SOUTH  
402 WEST WASHINGTON STREET  
INDIANAPOLIS, INDIANA 46204  
317-232-3000

Revisions:  
2 ADDENDUM 2 2023/03/20

Project Number: 84003001-22-058-C1  
Requestion Number: REST AREA  
Account Number:  
Designer: RATIO Drawing Date: 2023/02/23  
Drafter: Drawing Scale:  
DAPW Approval:  
Client Approval:  
Reference Number: 1364  
Building Reference:  
Sheet Name: SITE ENLARGEMENT PLAN  
Drawing Number: L-602

Last Saved By: Isatler Printed: 2/27/23  
 File Path: C:\Users\Isatler\OneDrive - City of Indianapolis\OneDrive\Projects\2023-02-23-10-16-29.am



NOT FOR CONSTRUCTION

Certified by:




**JSE**  
JANSSEN & SPAANS ENGINEERING  
9100 Harrison Park Court  
Indianapolis, Indiana 46216  
Phone (317) 254-9000 Fax (317) 254-9002



**RATIO**  
LANDSCAPE ARCHITECTURE  
101 S. Pennsylvania St.  
Indianapolis, IN 46204  
T: 317.625.0800  
www.ratiodesign.com

PUBLIC WORKS PROJECT NO. 84003001-22-058-C1  
REST AREA  
INDIANA



STATE OF INDIANA  
DEPARTMENT OF ADMINISTRATION  
**PUBLIC WORKS DIVISION**  
ROOM 1642 INDIANA GOVERNMENT CENTER SOUTH  
402 WEST WASHINGTON STREET  
INDIANAPOLIS, INDIANA 46204  
317-232-3000

Revisions:

2	ADDENDUM 2	2023.03.20
---	------------	------------

Project Number: 84003001-22-058-C1  
Requisition Number: REST AREA  
Account Number: -  
Designer: RATIO  
Drawing Date: 2023/02/23  
Drafter: -  
Drawing Scale: -  
DAPW Approval: -  
Client Approval: -  
Reference Number: 1364  
Building Reference: -  
Sheet Name: PAVING PLAN  
Drawing Number: L-603

### GENERAL NOTES | SPECIALTY PAVING PLANS:

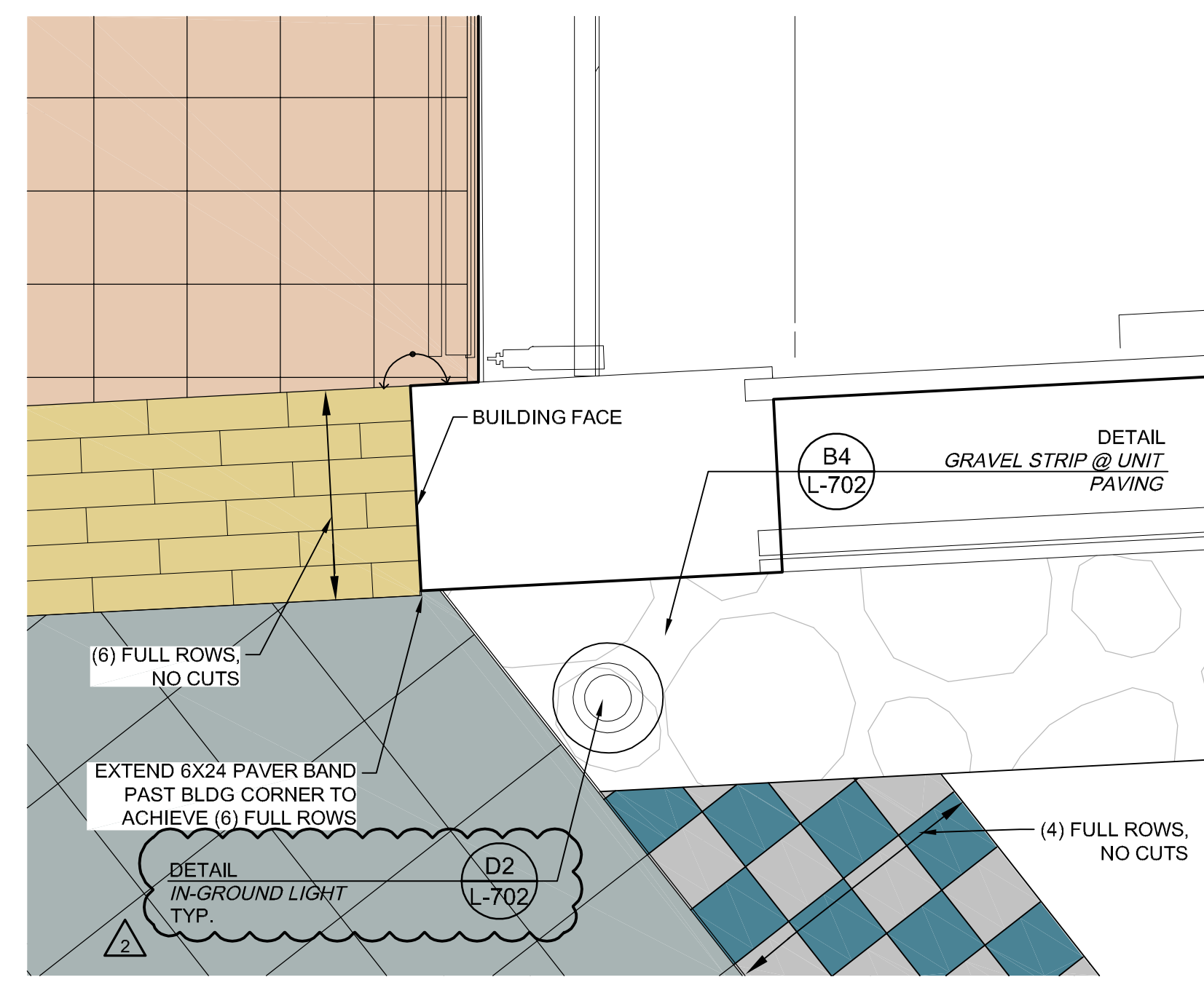
- WORK SHOWN ON THE DRAWINGS SHALL BE BASE BID UNLESS SPECIFICALLY NOTED TO BE BY ALTERNATE BID.
- COORDINATE ALL WORK WITH OTHER DESIGN DISCIPLINES.
- EXISTING AND PROPOSED UTILITIES THAT ARE SHOWN ARE FOR REFERENCE ONLY. REFER TO THE SITE SURVEY FOR EXISTING UTILITIES AND VERIFY ALL IN THE FIELD. REFER TO THE SITE ELECTRICAL PLAN FOR PROPOSED SITE LIGHTING AND POWER DISTRIBUTION EQUIPMENT. REFER TO CIVIL DRAWINGS FOR ALL OTHER PROPOSED UTILITIES.
- REFERENCE NOTES SCHEDULE MAY APPEAR ON MULTIPLE SHEETS. NOT ALL REFERENCE NOTES APPEAR ON EACH SHEET.
- UNIT PAVERS TO BE SET PARALLEL / PERPENDICULAR WITH STREET CURB UNLESS OTHERWISE NOTED.
- UNIT PAVERS TO HAVE A CONSISTENT SAND SWEEPED JOINT IN ACCORDANCE WITH THE SPECIFICATIONS. UNIT PAVERS SHALL BE INSTALLED TO ALIGN JOINTS WITH ADJACENT UNIT PAVEMENT JOINTS, FACE OF LIMESTONE PLANTER CURB, INTEGRAL CONCRETE CURB, BACK OF STREET CURB, AND ALL CONCRETE UNLESS OTHERWISE NOTED.
- ALL FIELD CUTS SHALL BE PERFORMED TO MAINTAIN A MINIMUM 1/3 UNIT PAVEMENT WIDTH, UNLESS NOTED OTHERWISE.
- ALL CUTS ON BEVELED UNIT PAVERS ARE TO BE FROM MIDDLE OF UNIT PAVEMENT AS REQUIRED TO ENSURE NO UNIT PAVERS HAVE A CUT EDGE ABUTTING A BEVELED EDGE.
- FOR ALL RADIAL APPLICATIONS IDENTIFIED, CUT UNIT PAVERS INTO WEDGES TO MAINTAIN MAXIMUM UNIT PAVEMENT WIDTH, UNLESS NOTED OTHERWISE.
- DEFINITIONS:
  - POINT OF BEGINNING: AS STARTING UNIT PAVEMENT LAYOUT TO FIT SPECIFIC DESIGN CONDITION IN ORDER TO HAVE ZERO CUTS.
  - CUT LINE: DESIGNATED LOCATION TO CUT UNIT PAVERS TO MATCH UP ADJOINING UNIT PAVING FIELD. ADJOINING UNIT PAVING FIELDS SHOULD MATCH IN OVERALL UNIT PAVEMENT MODULE (OR PATTERN) SO THE MODULE (OR PATTERN) APPEARS TO BE CONSISTENT ACROSS FIELDS.
  - UNIT PAVING FIELD: MASS OF UNIT PAVERS RELYING ON A SINGLE POINT OF BEGINNING.

### LEGEND:

- ORIENTATION OF UNIT PAVEMENT PATTERN
- POINT OF BEGINNING FOR LAYOUT OF UNIT PAVING FIELD
- ALIGN WITH ADJACENT FEATURE
- RADIAL EDGE TO FOLLOW ADJACENT CURVE GEOMETRY
- EXPANSION JOINT IN CONCRETE PAVING
- TOP OF RAMP OR CURB RAMP
- BOTTOM OF RAMP OR CURB RAMP

### REFERENCE NOTES SCHEDULE

CODE	DESCRIPTION	DETAIL
PRECAST ARCHITECTURAL CONCRETE		
03-45-05	PRECAST CONCRETE WALL, REF: SITE PLAN	
RIGID PAVING		
32-13-01	CONCRETE PAVING, STANDARD, LIGHT DUTY	A1/L-701
UNIT PAVING		
32-14-06	18"x18" CONCRETE PAVER, 2" THICK, "HEP-20" ECOPREMIER ARCHITECTURAL PAVER BY WAUSAU TILE	A5/L-701
32-14-07	12"x12" CONCRETE PAVER, 2" THICK, "VAR-70" AURORA ARCHITECTURAL PAVER BY WAUSAU TILE	A5/L-701
32-14-08	6"x24" CONCRETE PAVER, 2" THICK, "GTX-120" GRANITEX ARCHITECTURAL PAVER BY WAUSAU TILE	A5/L-701
32-14-09	24"x24" CONCRETE PAVER, 2" THICK, "HEP-20" ECOPREMIER ARCHITECTURAL PAVER BY WAUSAU TILE	A5/L-701
32-14-10	12"x12" CONCRETE PAVER W/ ADA DETECTABLE WARNING SURFACE BY WAUSAU TILE, 2" THICK, COLOR TO MATCH ADJACENT	A5/L-701
32-14-11	HISTORICAL BRICK FROM INDIANAPOLIS MOTOR SPEEDWAY, CUT IN HALF TO MAKE PAVERS BY CONTRACTOR. CONTRACTOR TO SOURCE FROM BO-MAR INDUSTRIES. CONTACT: ADAM LEE, PH: (317) 899-1240.	
AGGREGATE SURFACING		
32-15-01	DECORATIVE GRAVEL, DARK GRAY, SIZED 1-1/4" TO 3/8"	D4/L-702



01 PAVING PLAN SCALE 0 2.5' 5' 10'

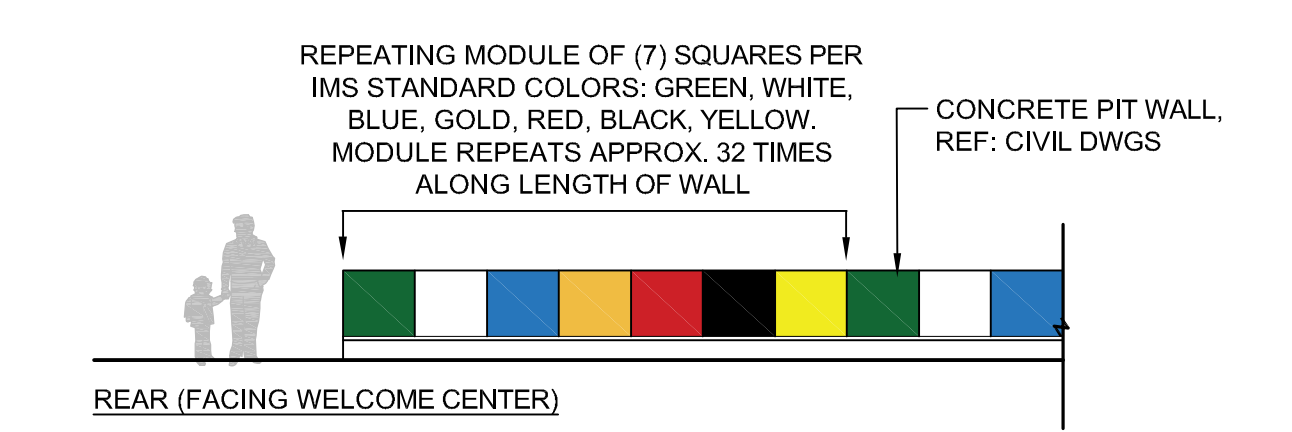
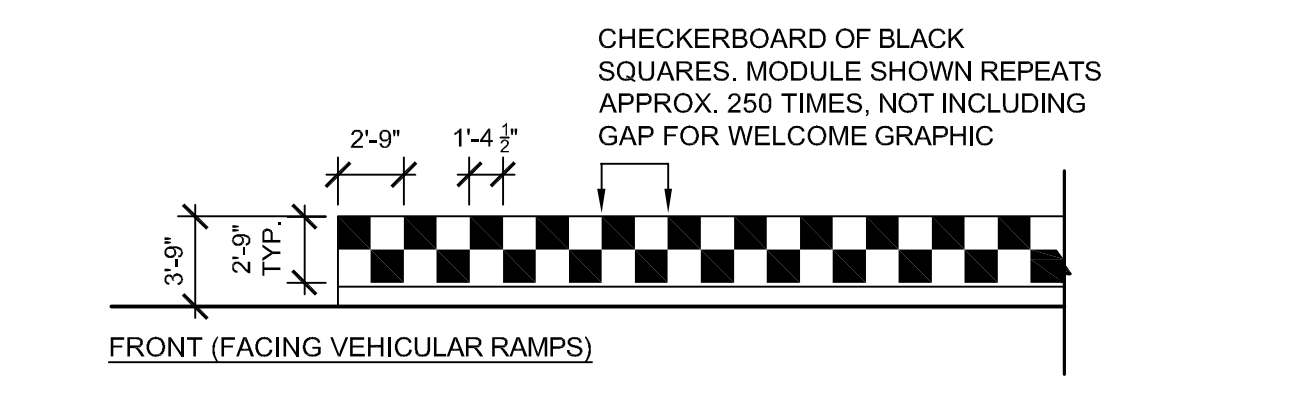
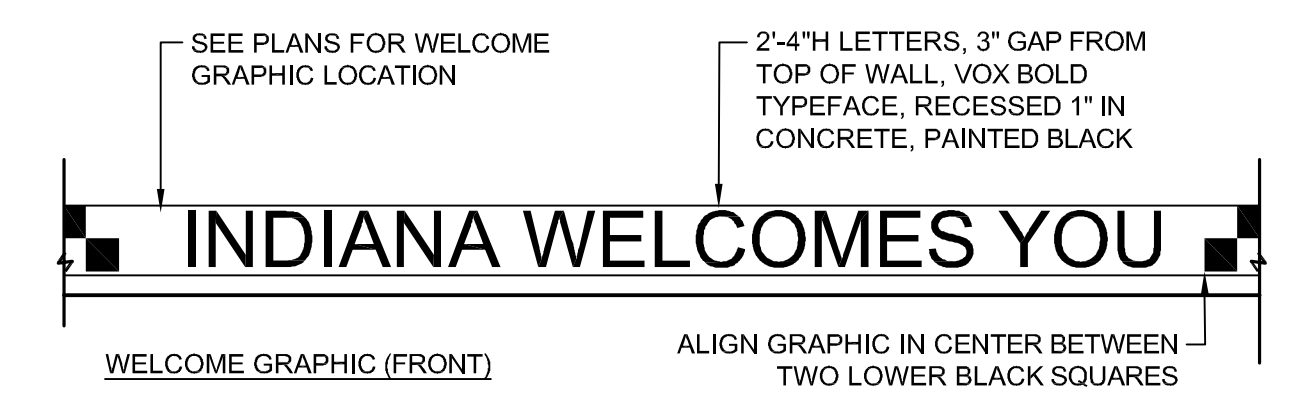
02 PAVING PLAN 1" = 2'-0"

L-603.dwg  
 User: jscott  
 Date: 2/23/23  
 Time: 10:46:13 AM  
 Plot: 2/23/23 10:46:13 AM  
 Plot Device: HP DesignJet T1100e  
 Plot Style: HP-DesignJet T1100e.ctb  
 Plot Path: C:\Users\jscott\AppData\Local\Temp\230223104613\



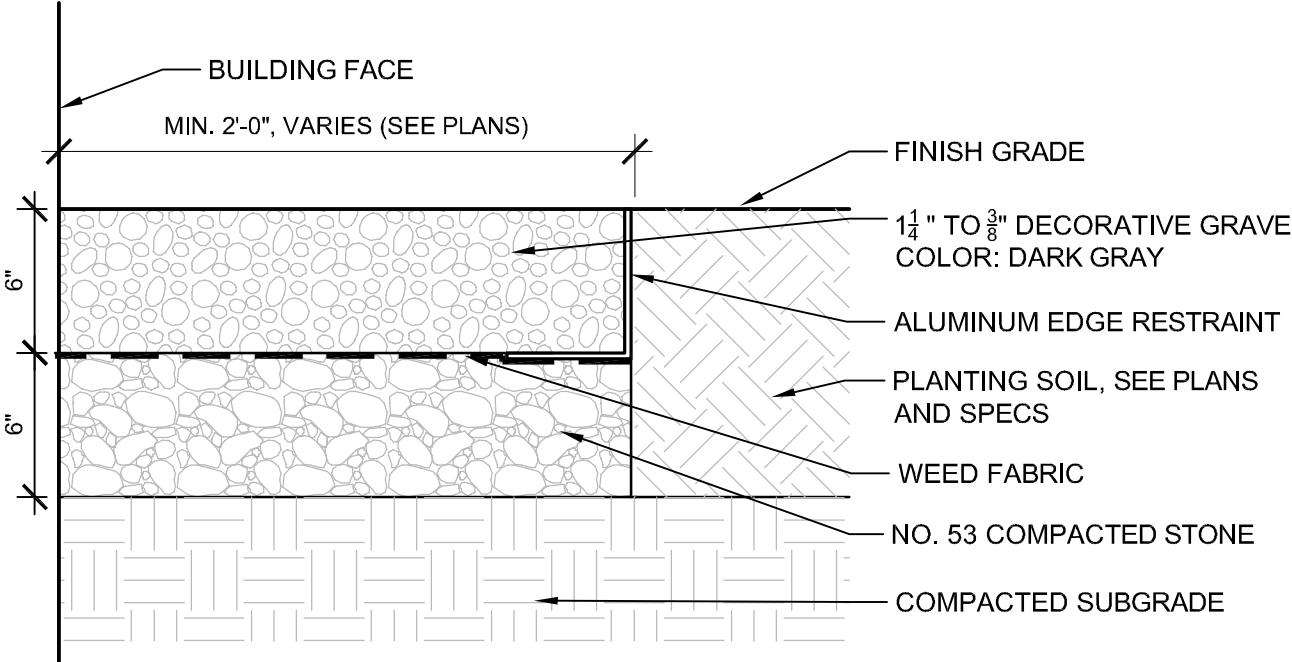




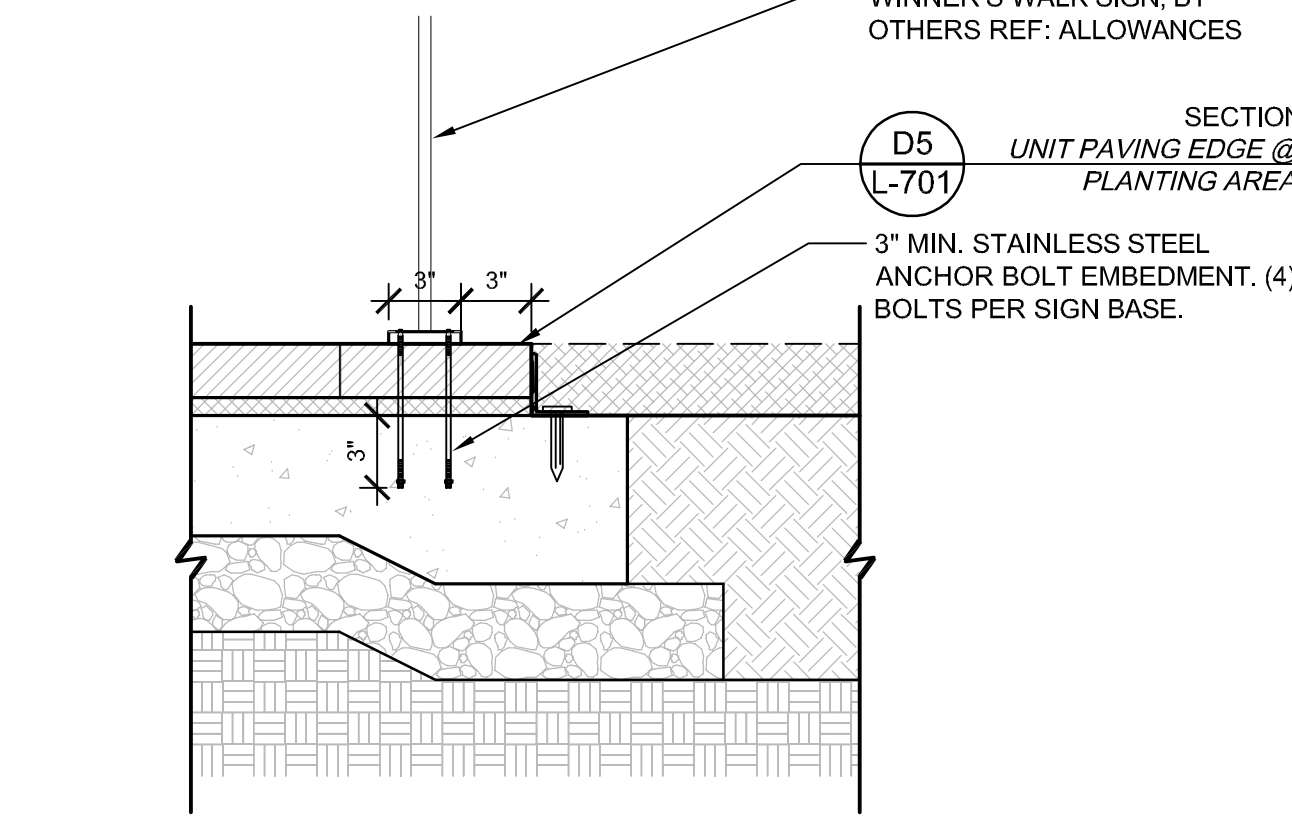
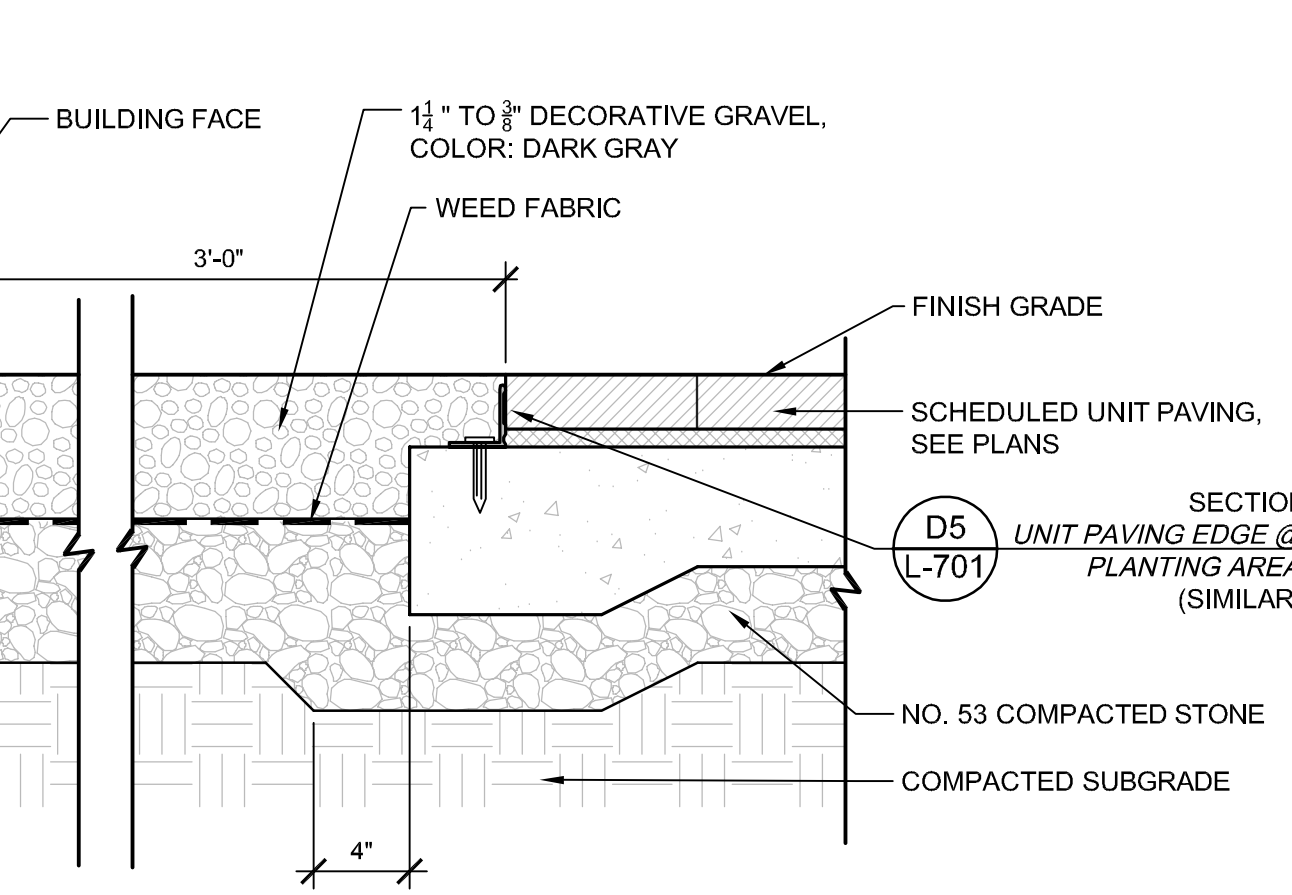


NOTE: GRAPHICS TO BE PAINTED WITH HIGH PERFORMANCE COATING. CONTRACTOR TO PROVIDE SAMPLES TO LANDSCAPE ARCHITECT PRIOR TO PIT WALL APPLICATION. REFER TO SPEC SECTION 099600 FOR MORE INFORMATION.

**E4 ELEVATION | PIT WALL PAINTED GRAPHICS**  
1/8" = 1'-0"

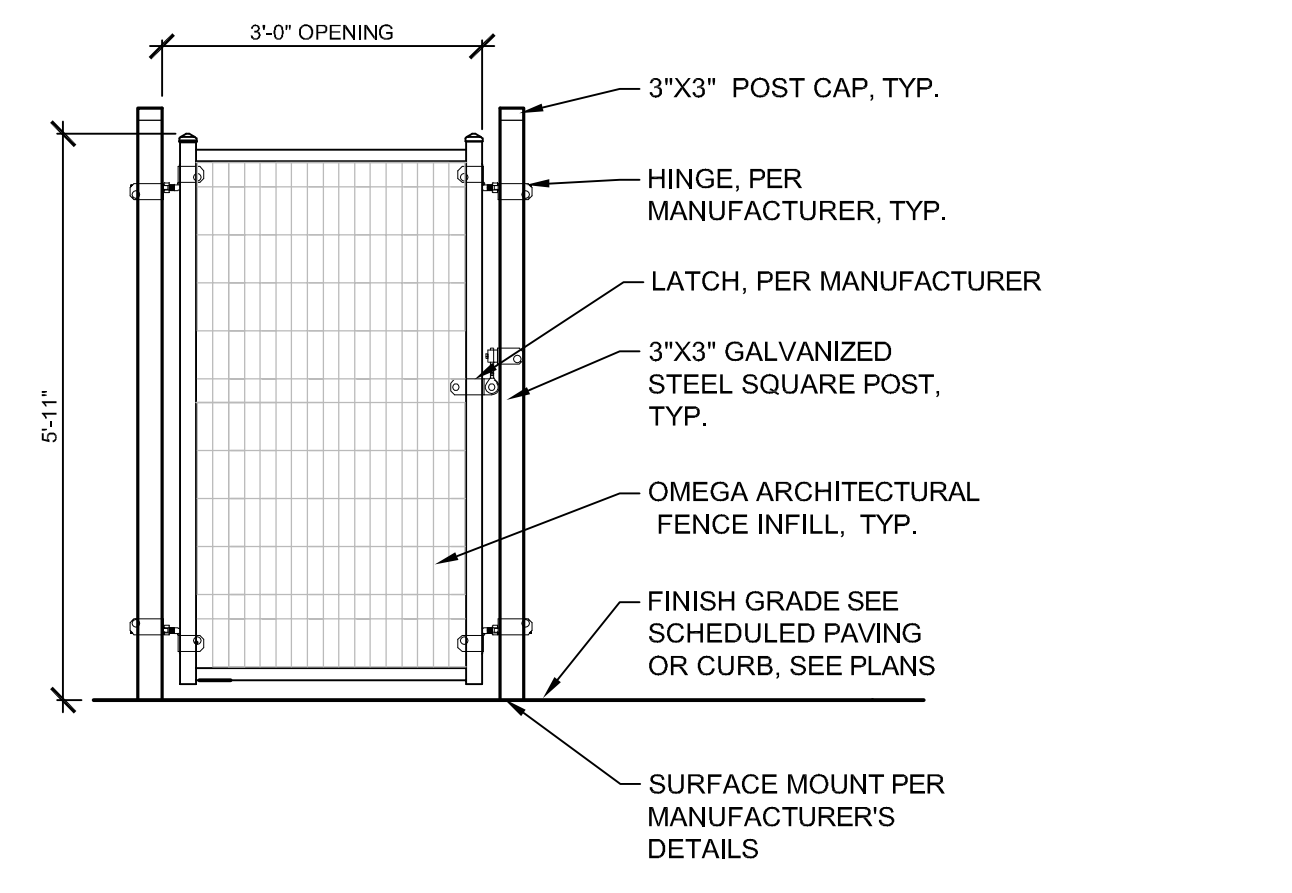


**D4 DETAIL | GRAVEL STRIP @ PLANTING AREA**  
1 1/2" = 1'-0"



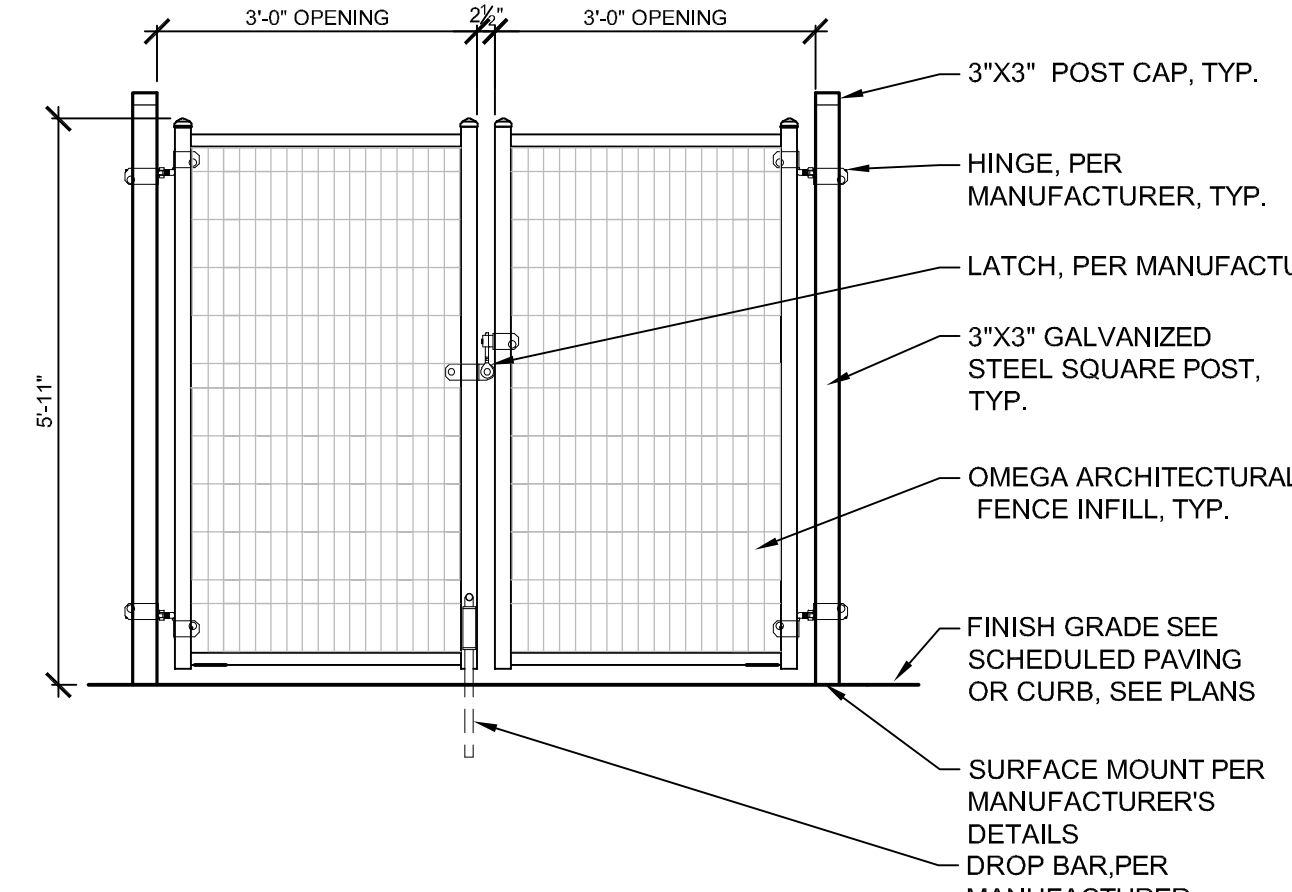
**E6 SECTION | WINNER'S WALK SIGN INSTALLATION**  
1 1/2" = 1'-0"

NOTES:  
1. CONTRACTOR TO SUBMIT FULL SHOP DRAWINGS OF GATES FOR APPROVAL BY LANDSCAPE ARCHITECT PRIOR TO FABRICATION.  
2. REF: SPECIFICATION 323116 FOR ADDITIONAL INFORMATION ON SHOP DRAWINGS REQUIRED AND PRODUCT.  
3. COLOR OF FENCE TO BE BLACK.



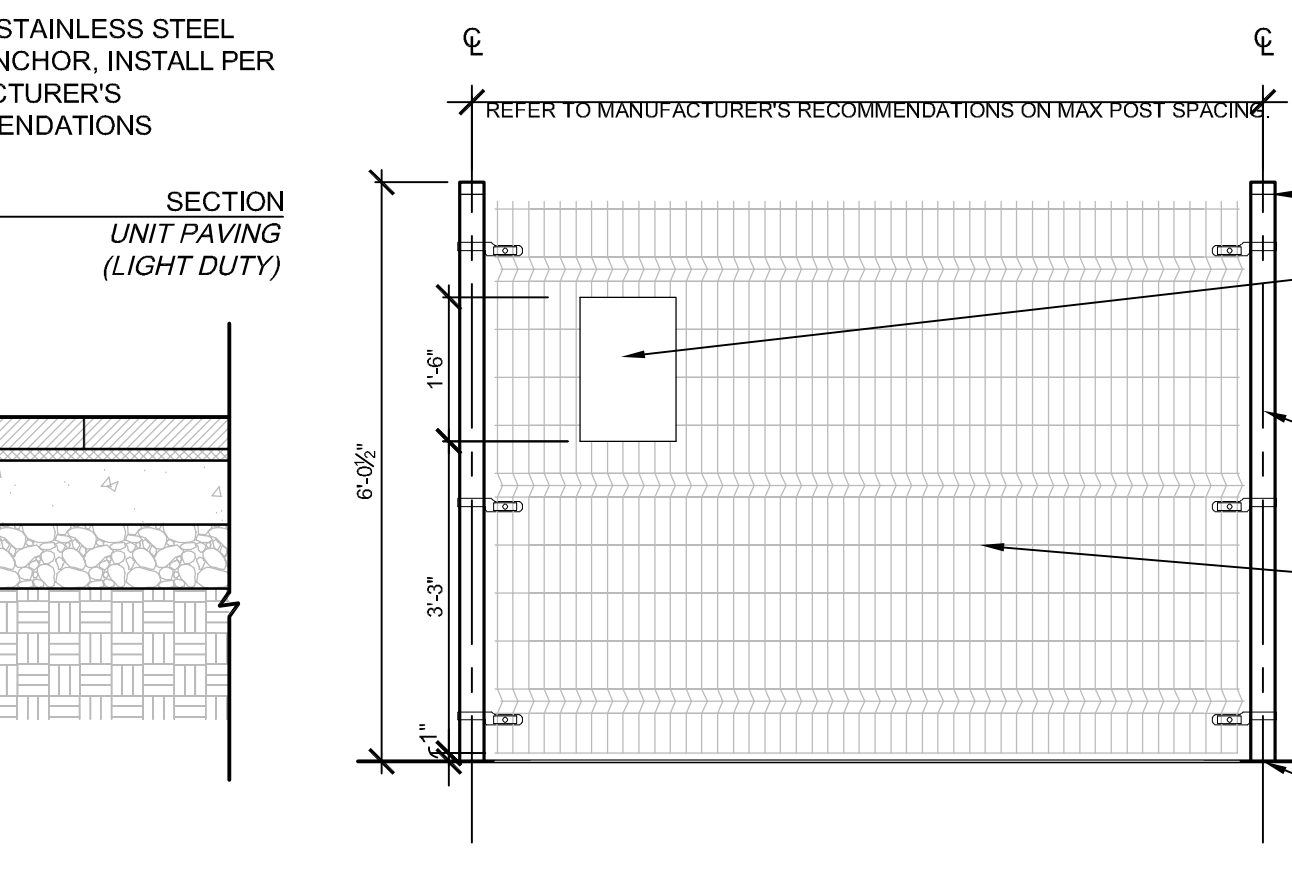
**D6 DETAIL | 6' HT SINGLE GATE**  
1/2" = 1'-0"

NOTES:  
1. CONTRACTOR TO SUBMIT FULL SHOP DRAWINGS OF GATES FOR APPROVAL BY LANDSCAPE ARCHITECT PRIOR TO FABRICATION.  
2. REF: SPECIFICATION 323116 FOR ADDITIONAL INFORMATION ON SHOP DRAWINGS REQUIRED AND PRODUCT.  
3. COLOR OF FENCE TO BE BLACK.

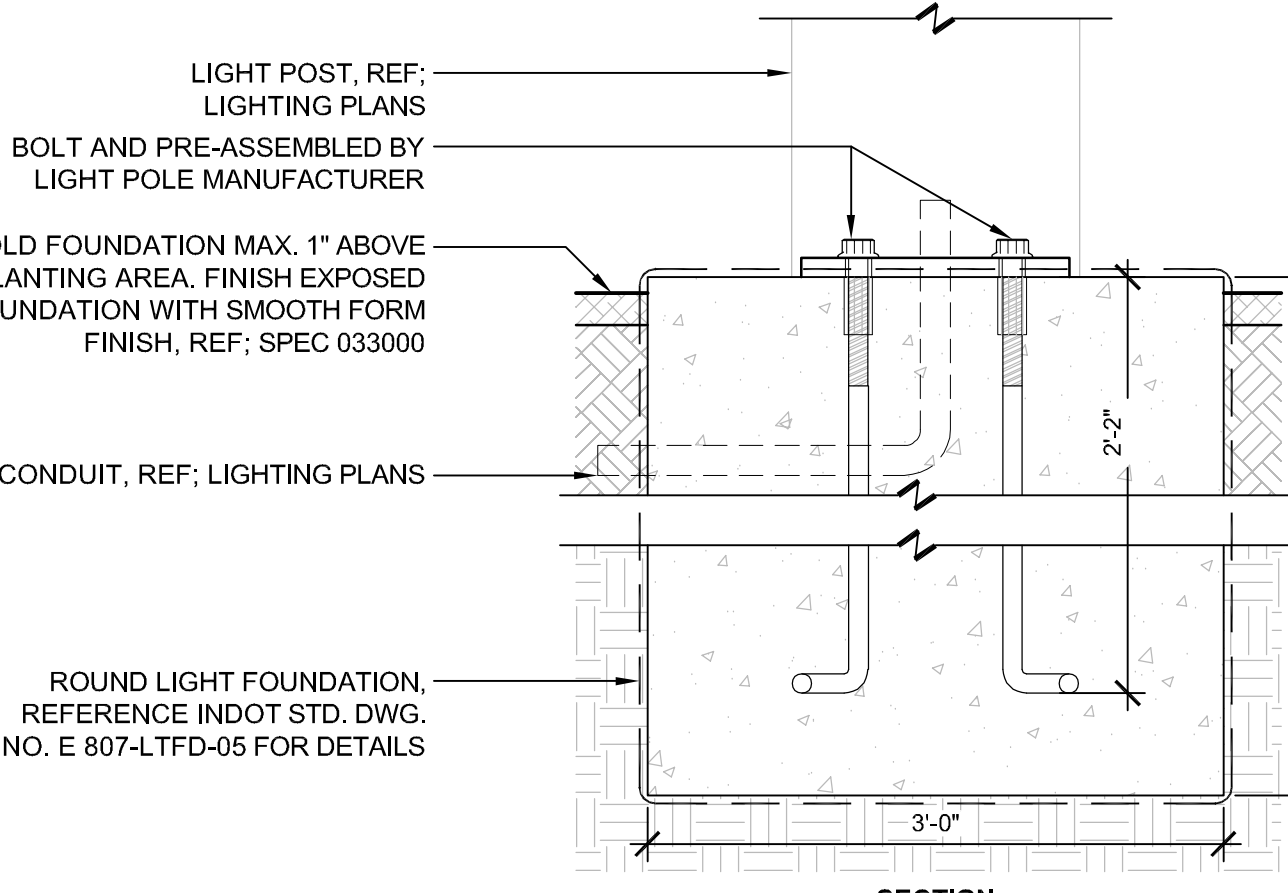
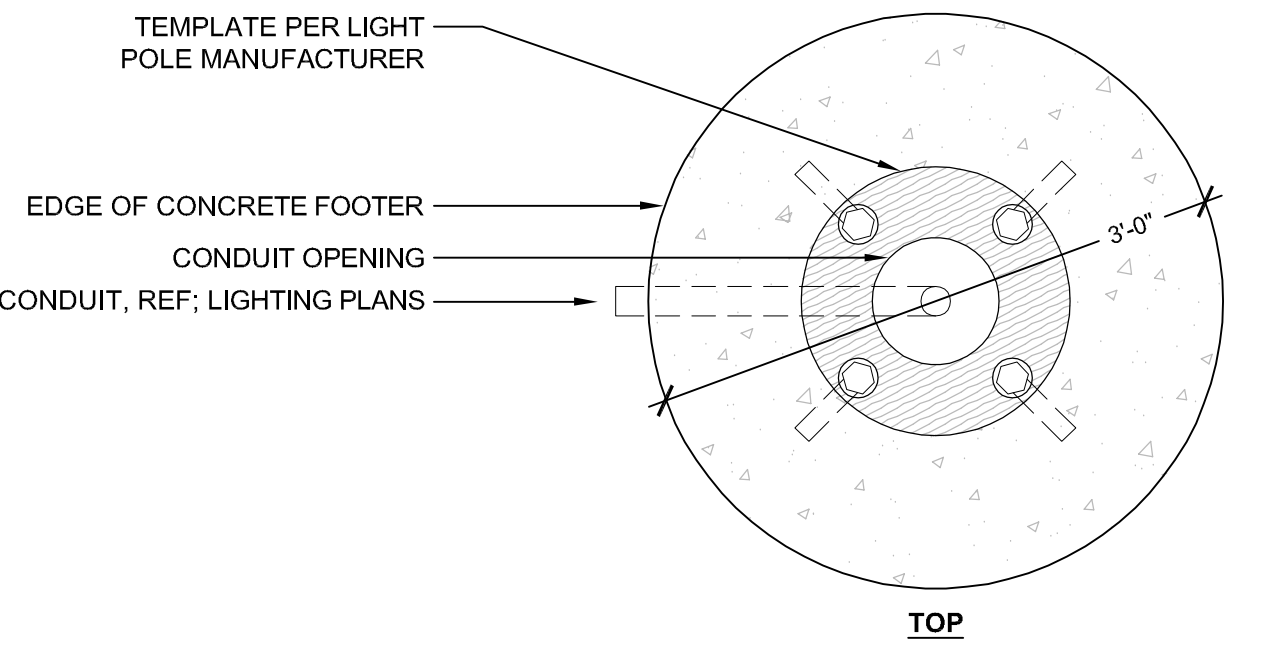


**C6 DETAIL | 6' HT DOUBLE GATE**  
1/2" = 1'-0"

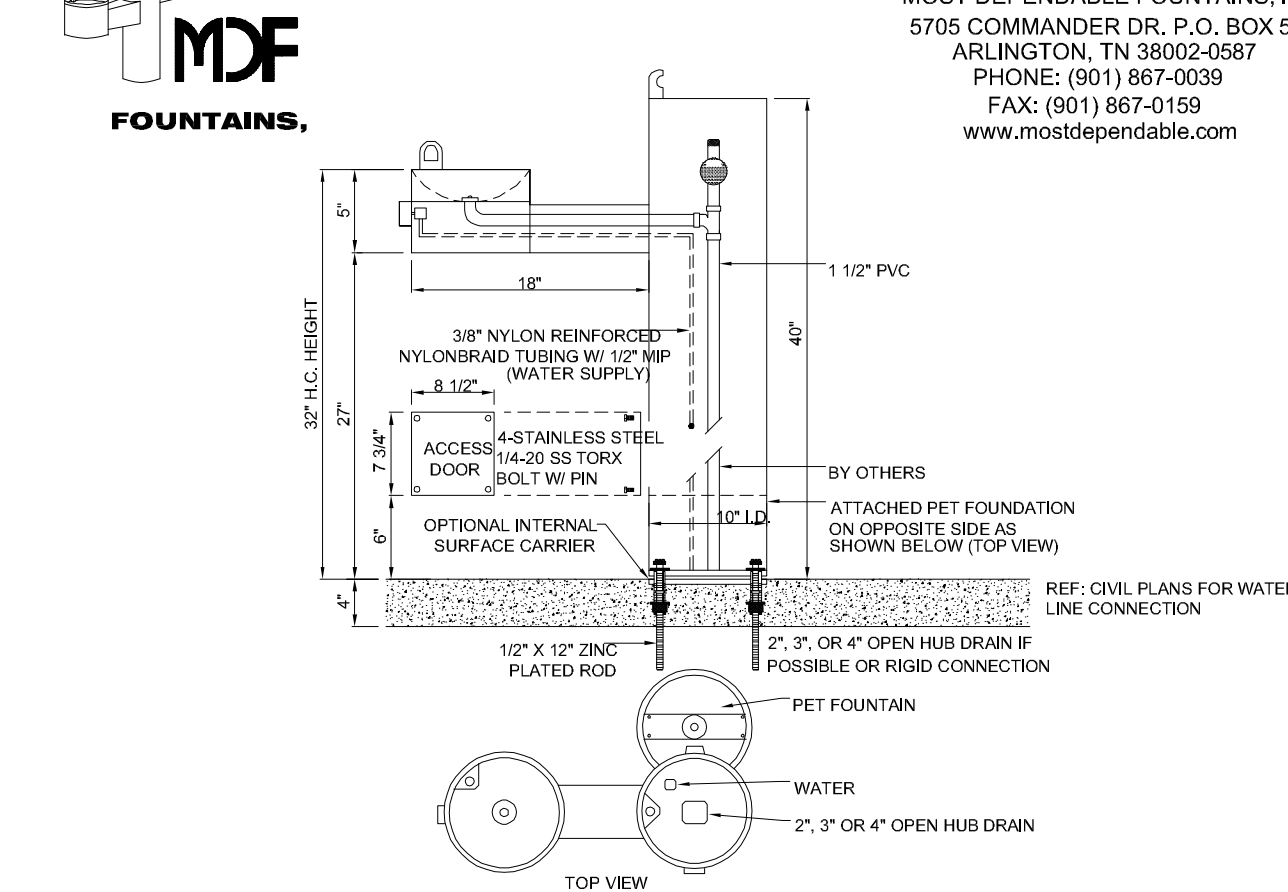
NOTES:  
1. CONTRACTOR TO SUBMIT FULL SHOP DRAWINGS OF FENCE FOR APPROVAL BY LANDSCAPE ARCHITECT PRIOR TO FABRICATION.  
2. REF: SPECIFICATION 323116 FOR ADDITIONAL INFORMATION ON SHOP DRAWINGS REQUIRED AND PRODUCT.  
3. COLOR OF FENCE TO BE BLACK.



**A6 DETAIL | 6' HT FENCE**  
1/2" = 1'-0"

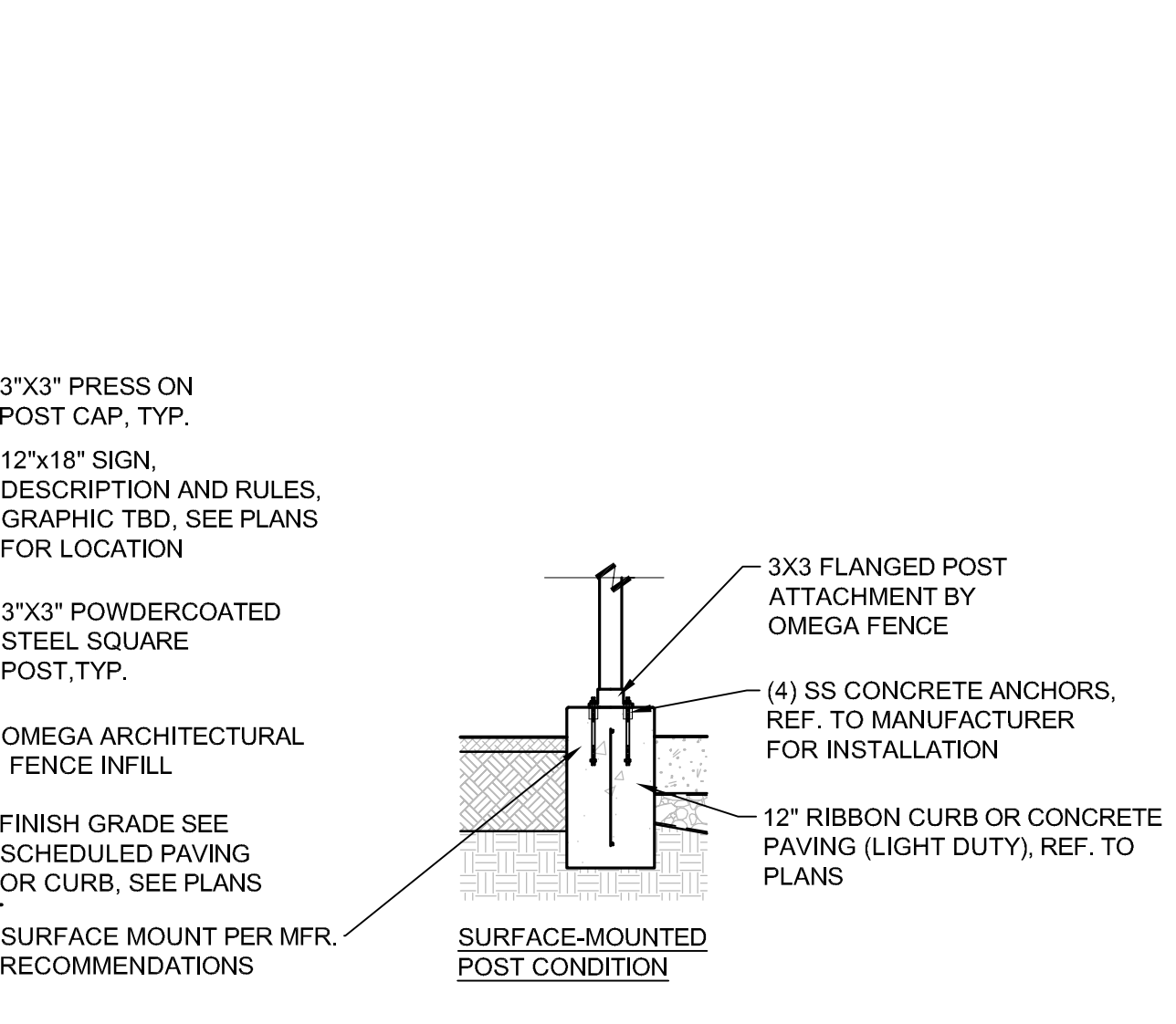


**D7 DETAIL-LIGHT POLE FOUNDATION**  
1" = 1'-0"

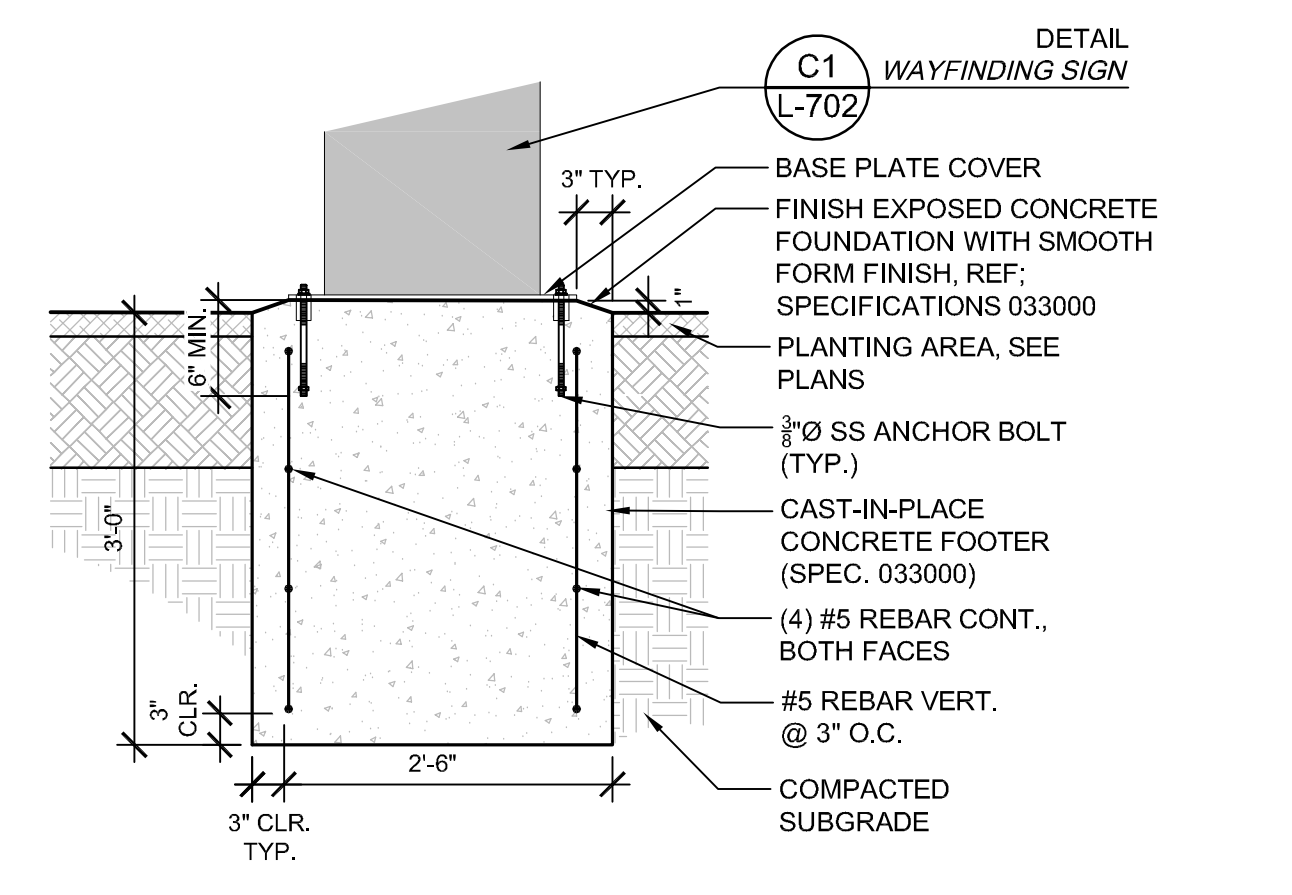


NOTES:  
1. MODEL 440 SM. MEETS ADA REGULATIONS.  
2. OPTIONAL STAINLESS STEEL SURFACE CARRIER RECOMMENDED.  
3. SHOWN WITH OPTIONAL 10 STAINLESS STEEL SURFACE CARRIER. ATTACHED PET FOUNTAIN.  
4. INSTALLATION TO BE COMPLETED IN ACCORDANCE WITH MANUFACTURER'S SPECIFICATIONS.  
5. DO NOT SCALE DRAWING.  
6. ALL INFORMATION CONTAINED HEREIN WAS CURRENT AT THE TIME OF DEVELOPMENT BUT MUST BE REVIEWED AND APPROVED BY THE PRODUCT MANUFACTURER TO BE CONSIDERED ACCURATE.

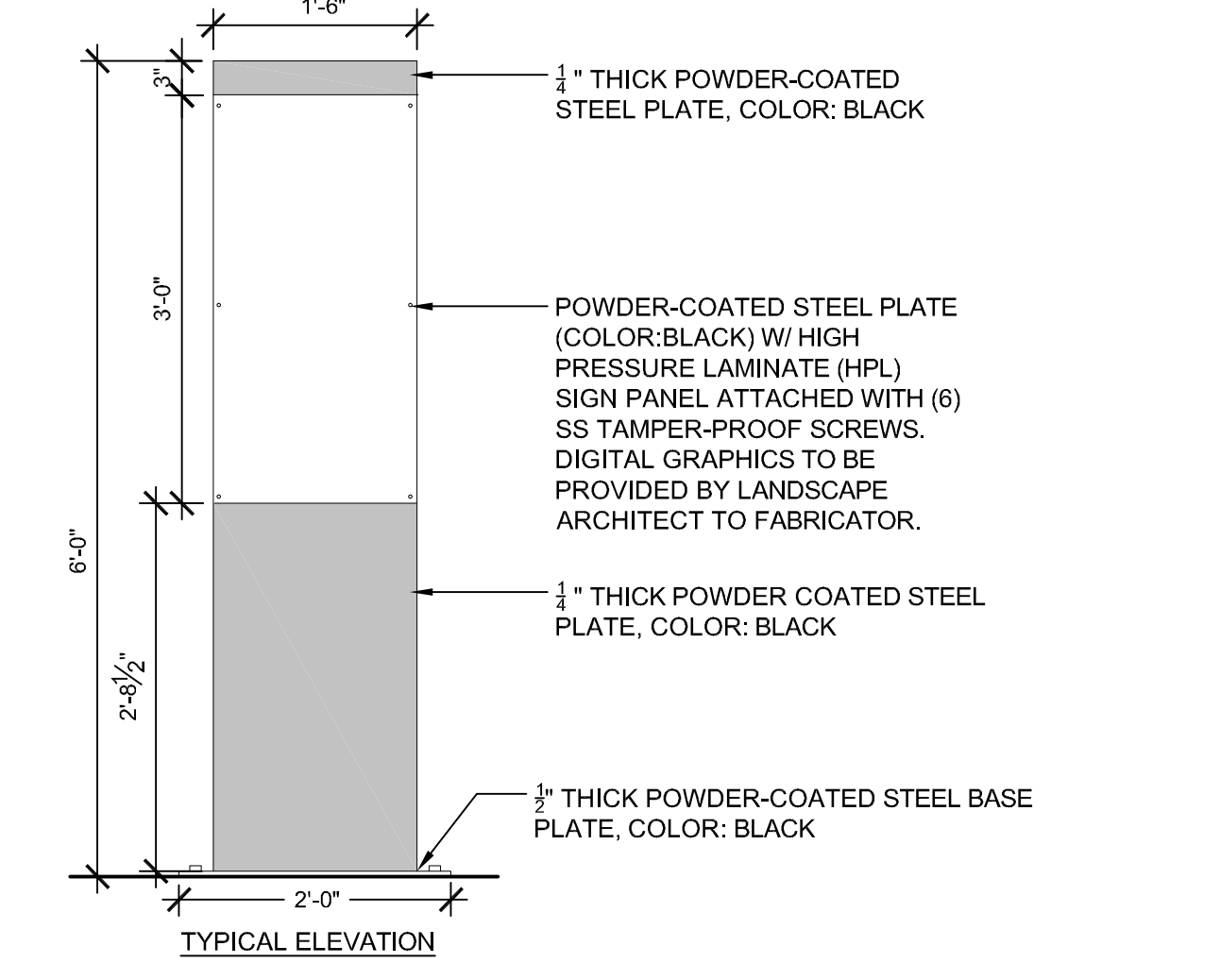
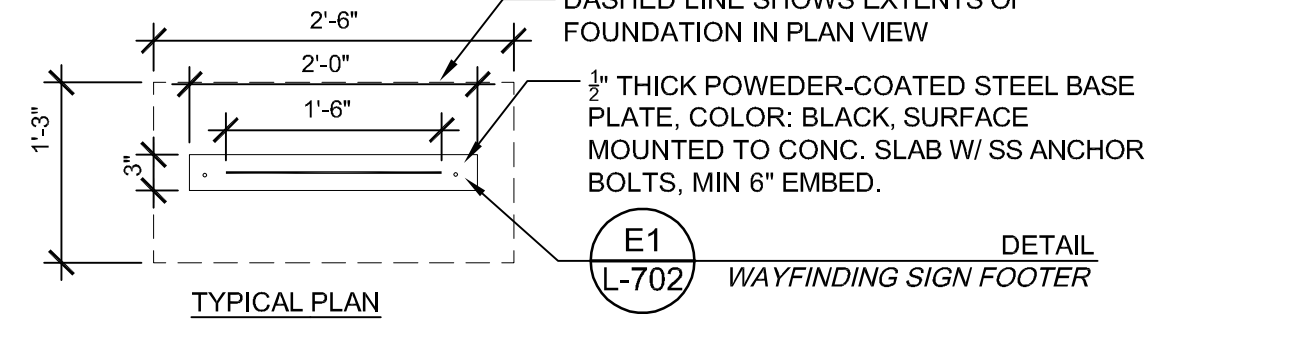
**C7 DETAIL | DRINKING FOUNTAIN**  
NTS



**A6 DETAIL | 6' HT FENCE**  
1/2" = 1'-0"

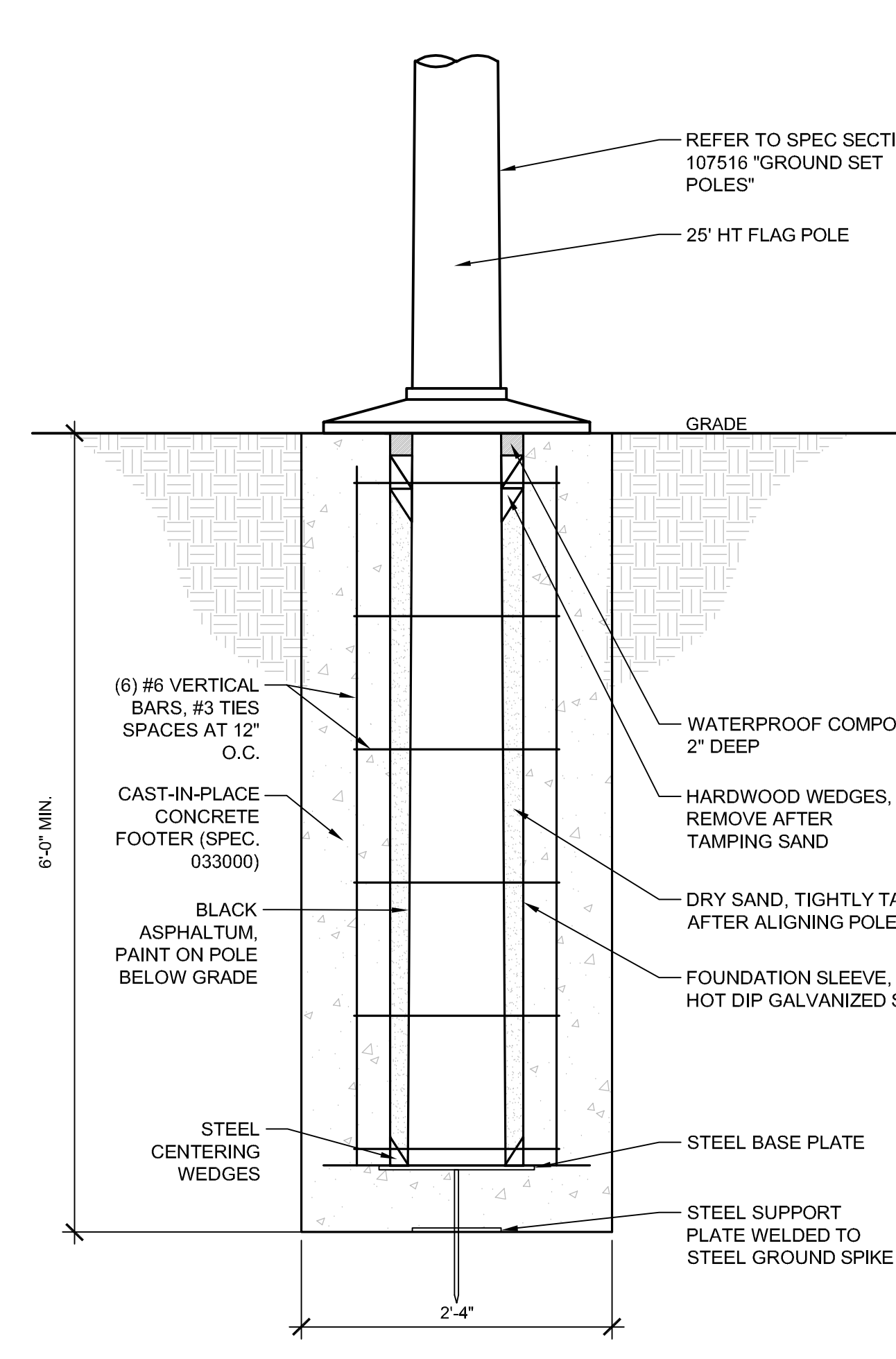


**E1 DETAIL | WAYFINDING SIGN FOOTER**  
3/4" = 1'-0"

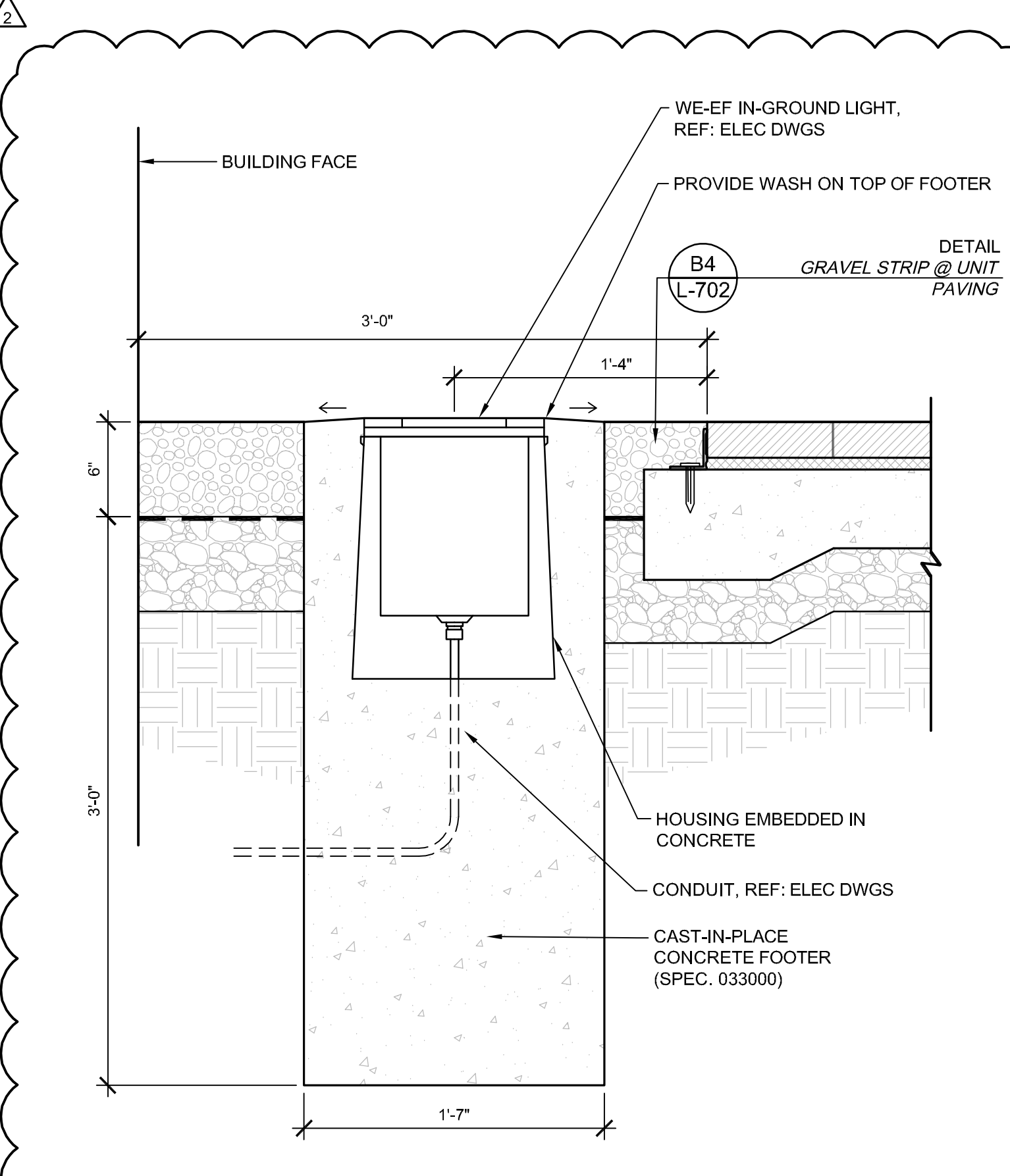


NOTES:  
1. DETAIL IS FOR DESIGN INTENT ONLY. CONTRACTOR TO SUBMIT FULL SHOP DRAWINGS FOR APPROVAL BY LANDSCAPE ARCHITECT PRIOR TO FABRICATION.

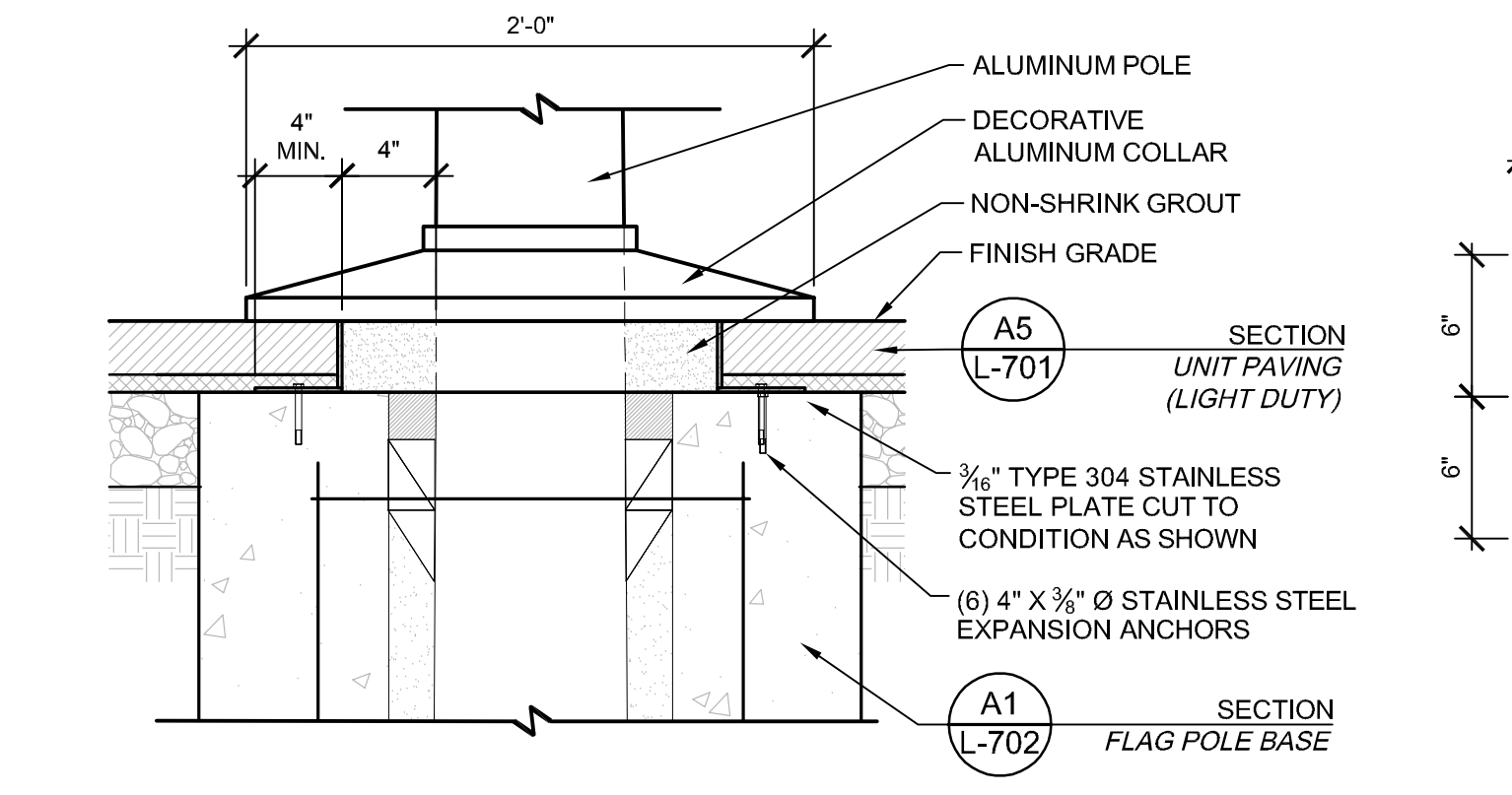
**C1 DETAIL | WAYFINDING SIGN**  
3/4" = 1'-0"



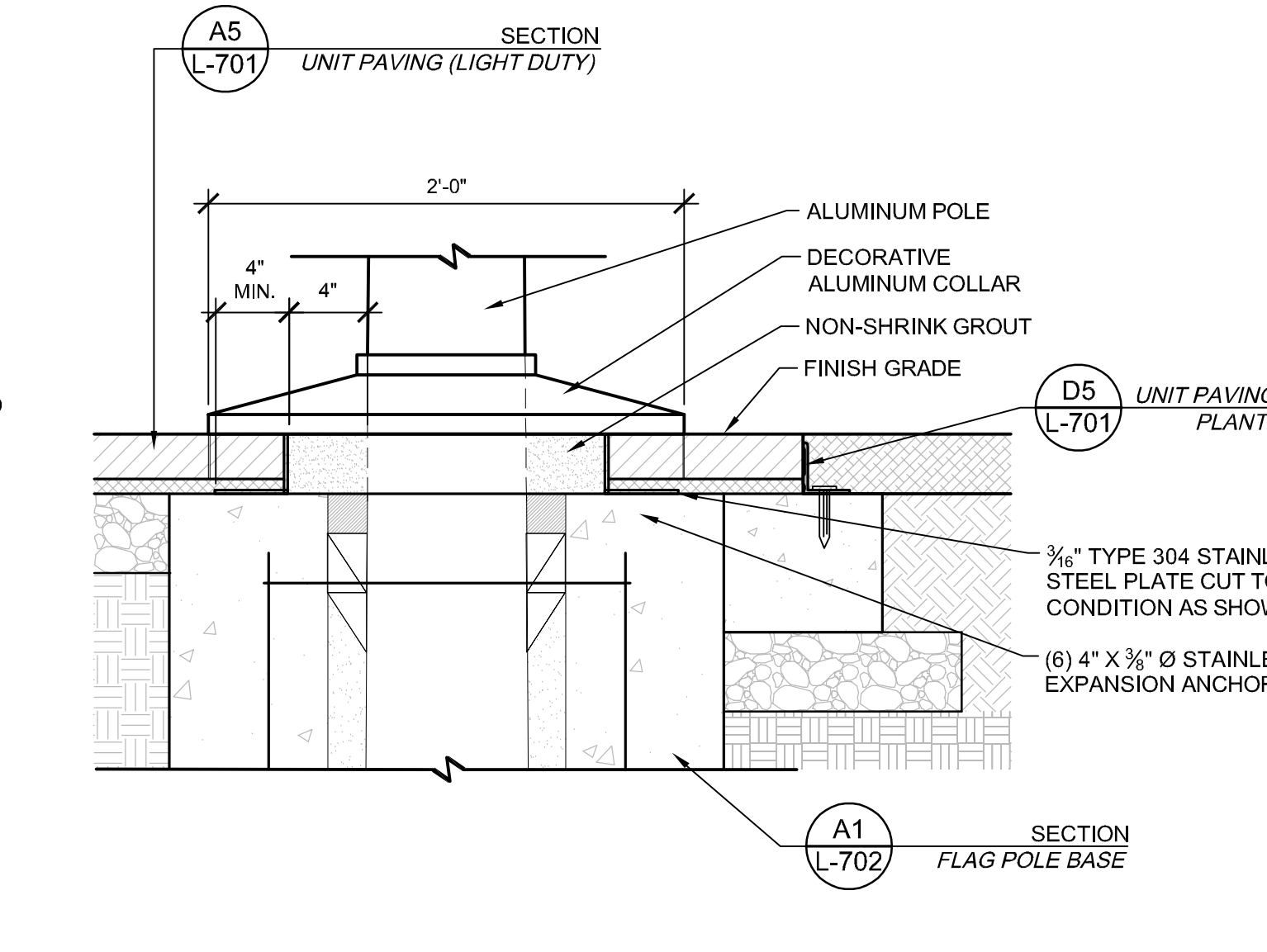
**A1 SECTION | FLAG POLE BASE**  
1" = 1'-0"



**D2 DETAIL | IN-GROUND LIGHT**  
1 1/2" = 1'-0"

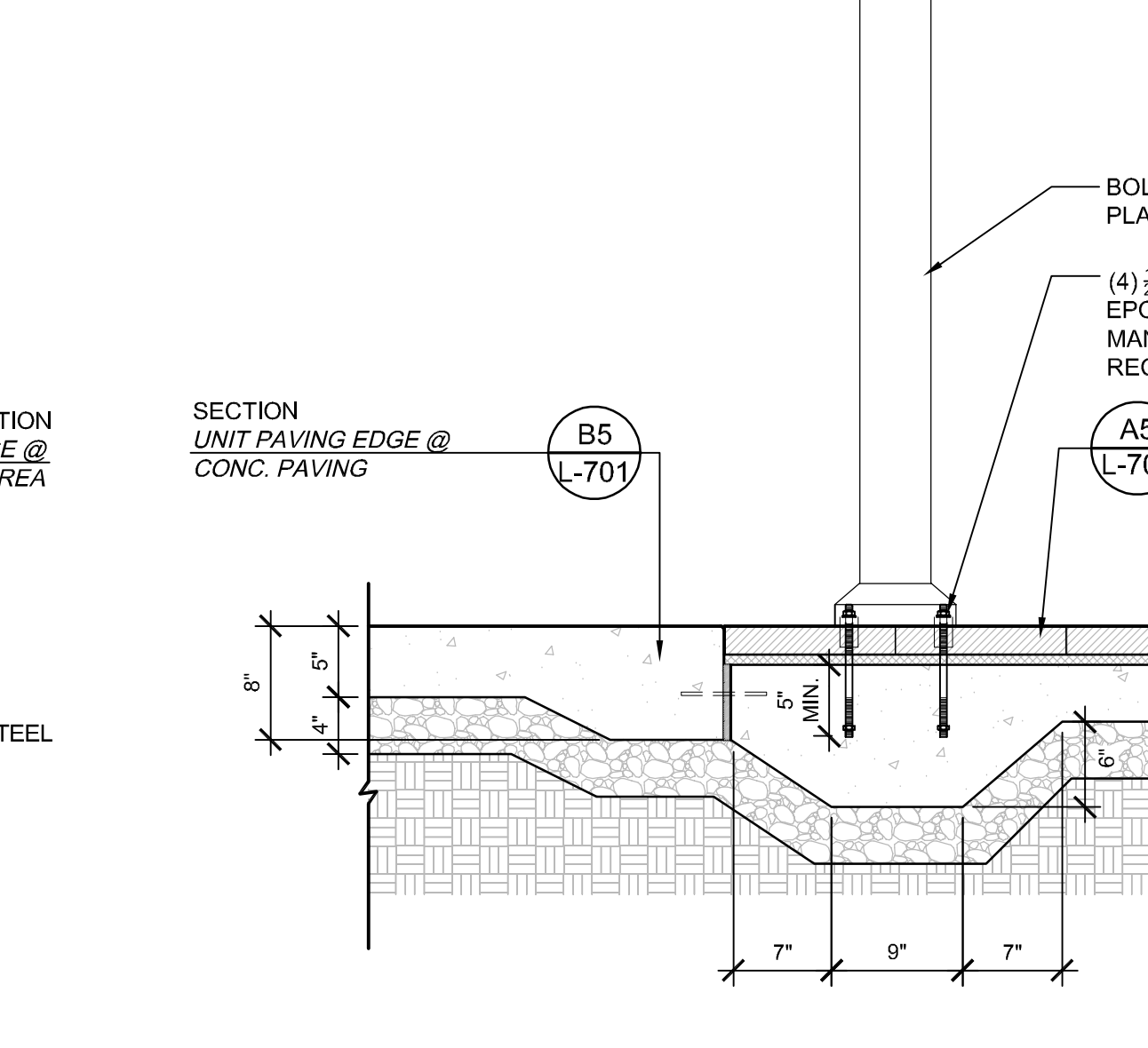


**B2 SECTION | FLAG POLE @ UNIT PAVING**  
1 1/2" = 1'-0"



**A2 SECTION | FLAG POLE @ UNIT PAVING EDGE**  
1 1/2" = 1'-0"

**B4 DETAIL | GRAVEL STRIP @ UNIT PAVING**  
1 1/2" = 1'-0"



**A4 SECTION | SURFACE MOUNT BOLLARD @ UNIT PAVING**  
1" = 1'-0"